



SPECIFICATIONS:

CONTACT RATING: 2A /36VDC.
 MECHANICAL LIFE: 1,000,000 cycles Min.
 ELECTRICAL LIFE: 50,000 cycles Min.
 CONTACT RESISTANCE: 50m-ohms Max.
 INSULATION RESISTANCE: 100M-ohms Min.(500VDC)
 DIELECTRIC STRENGTH: 1,500V, RMS 50Hz, 1min.
 OPERATING TEMPERATURE: -25°C~+55°C(No Freezing).
 IP CLASS: IP65/IP67;IK07.
 TORQUE: About 0.3Nm max. applied to nut.

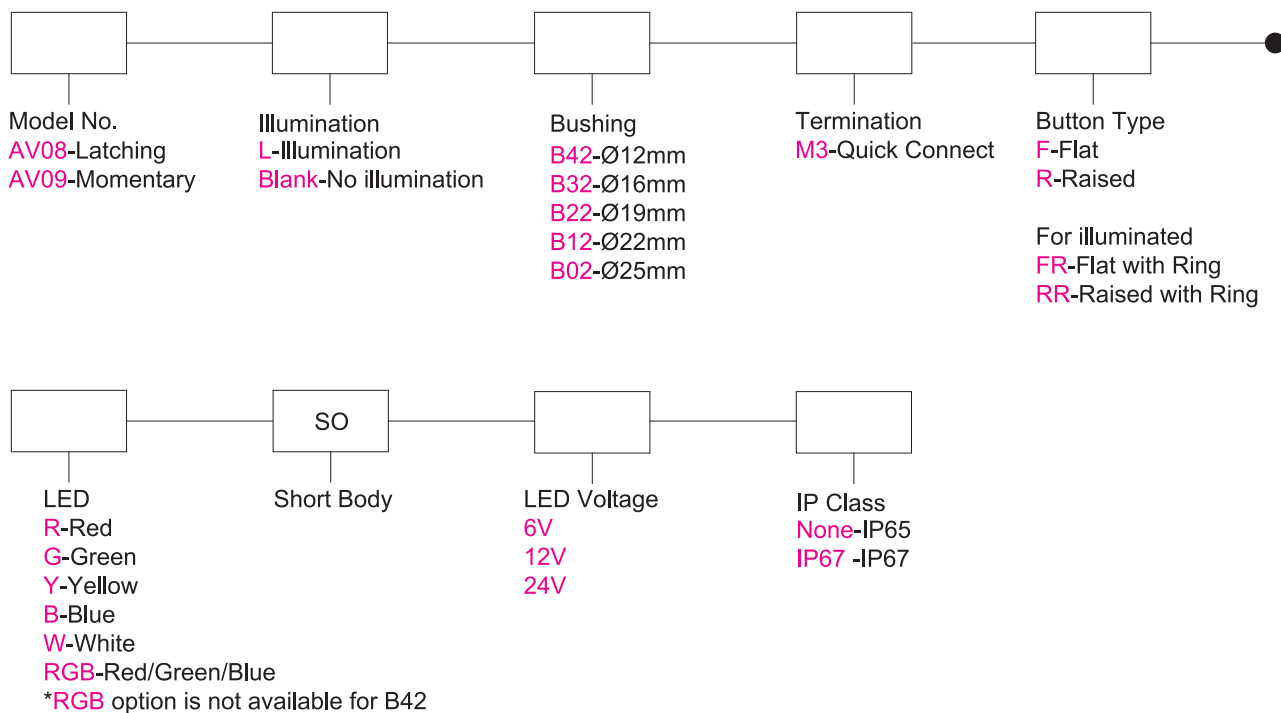
MATERIALS:

BODY & BUTTON: See Option.
 CONTACT: Silver alloy.
 BASE: PA.

Specifications and Dimensions subject to change

If your preferred product configuration is not shown, please contact our sales representative for custom design.

HOW TO ORDER SYSTEM



Toggle

Rocker

Slide

Pushbutton

AV

Rotary

Tact

Touch Key

Miscellaneous

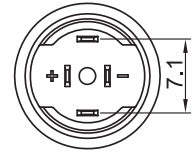
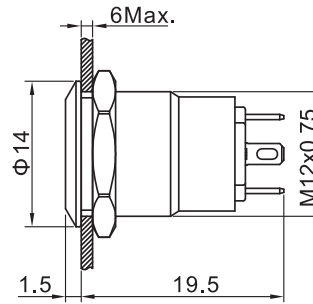
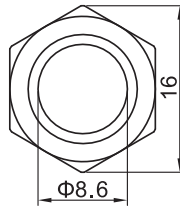
Series AV08(L)/AV09(L)

Anti-Vandal Pushbutton Switches

Non-latching & Latching Ø12mm, Flat Button



Model No.	SPDT Type	
08	OFF	ON
09	OFF	MOM

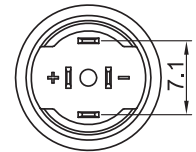
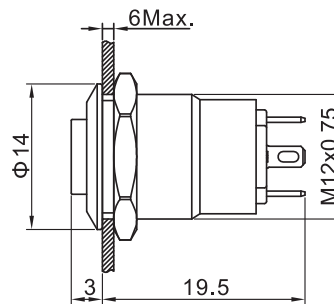
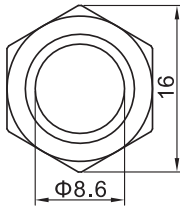


Ex. P/N: AV08-B42-M3-F-SO

Non-latching & Latching Ø12mm, Raised Button



Model No.	SPDT Type	
08	OFF	ON
09	OFF	MOM

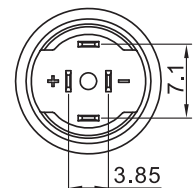
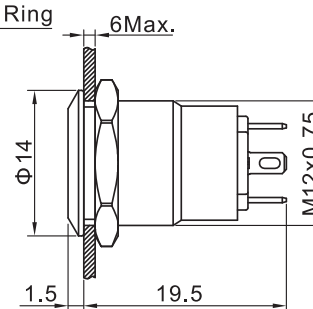
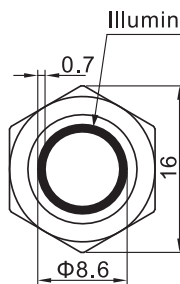


Ex. P/N: AV08-B42-M3-R-SO

Illuminated Non-latching & Latching Ø12mm, Flat Button



Model No.	SPDT Type	
08L	OFF	ON
09L	OFF	MOM

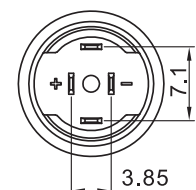
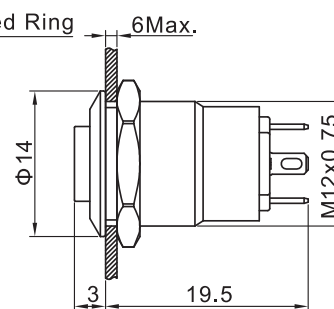
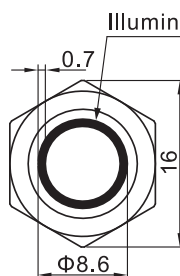


Ex. P/N: AV08L-B42-M3-FR-x-SO-y

Illuminated Non-latching & Latching Ø12mm, Raised Button



Model No.	SPDT Type	
08L	OFF	ON
09L	OFF	MOM



Ex. P/N: AV08L-B42-M3-RR-x-SO-y

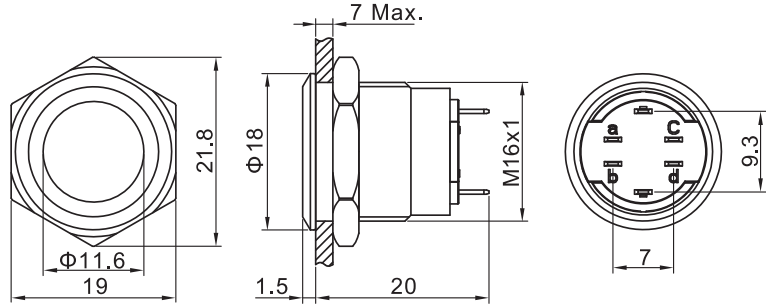
Series AV08(L)/AV09(L)

Anti-Vandal Pushbutton Switches

Non-latching & Latching Ø16mm, Flat Button



Model No.	SPDT Type	
08	OFF	ON
09	OFF	MOM

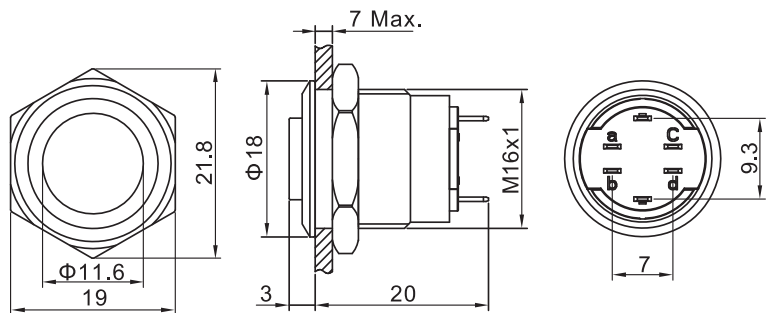


Ex. P/N: AV08-B32-M3-F-SO

Non-latching & Latching Ø16mm, Raised Button



Model No.	SPDT Type	
08	OFF	ON
09	OFF	MOM

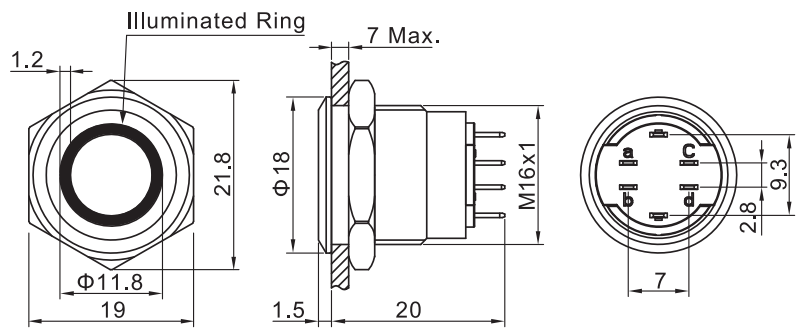


Ex. P/N: AV08-B32-M3-R-SO

Illuminated Non-latching & Latching Ø16mm, Flat Button



Model No.	SPDT Type	
08L	OFF	ON
09L	OFF	MOM

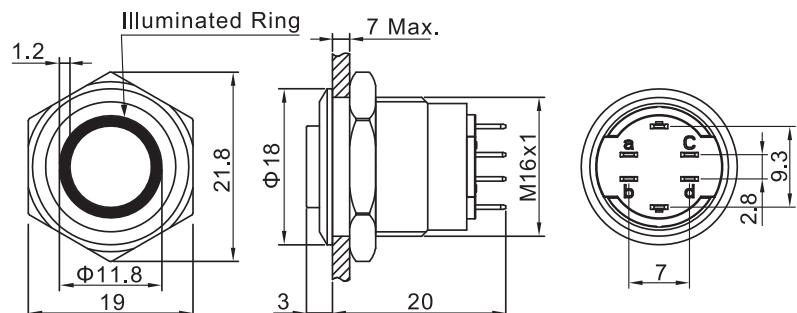


Ex. P/N: AV08L-B32-M3-FR-x-SO-y

Illuminated Non-latching & Latching Ø16mm, Raised Button



Model No.	SPDT Type	
08L	OFF	ON
09L	OFF	MOM



Ex. P/N: AV08L-B32-M3-RR-x-SO-y

Toggle

Rocker

Slide

Pushbutton

AV

Rotary

Tact

Touch Key

Miscellaneous

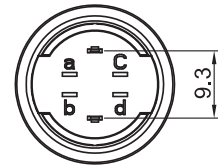
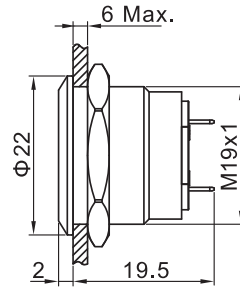
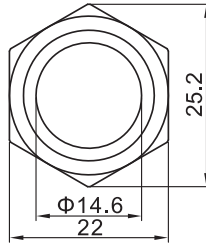
Series AV08(L)/AV09(L)

Anti-Vandal Pushbutton Switches

Non-latching & Latching Ø19mm, Flat Button



Model No.	SPDT Type	
	08	OFF
09	OFF	MOM

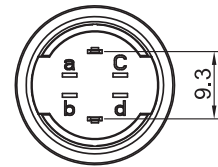
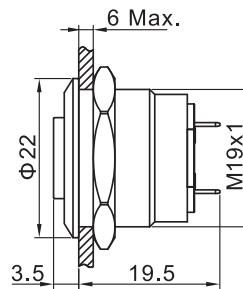
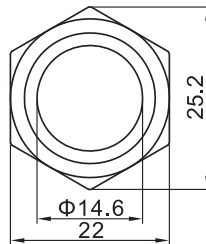


Ex. P/N: AV08-B22-M3-F-SO

Non-latching & Latching Ø19mm, Raised Button



Model No.	SPDT Type	
	08	OFF
09	OFF	MOM

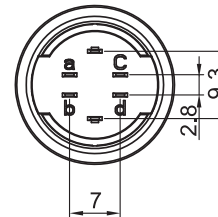
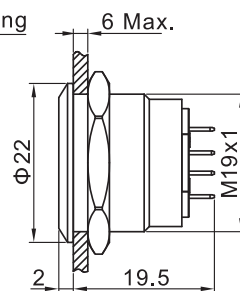
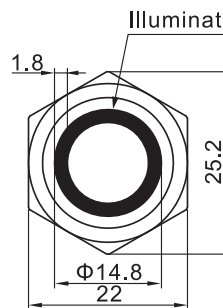


Ex. P/N: AV08-B22-M3-R-SO

Illuminated Non-latching & Latching Ø19mm, Flat Button



Model No.	SPDT Type	
	08L	OFF
09L	OFF	MOM

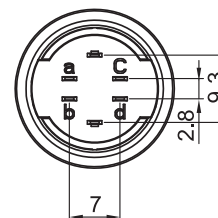
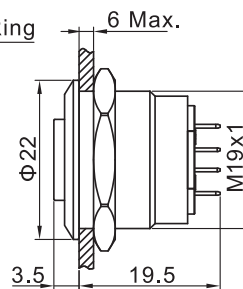
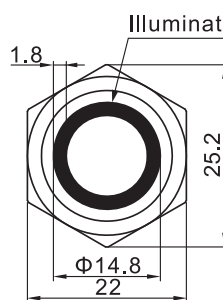


Ex. P/N: AV08L-B22-M3-FR-x-SO-y

Illuminated Non-latching & Latching Ø19mm, Raised Button



Model No.	SPDT Type	
	08L	OFF
09L	OFF	MOM



Ex. P/N: AV08L-B22-M3-RR-x-SO-y

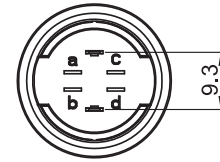
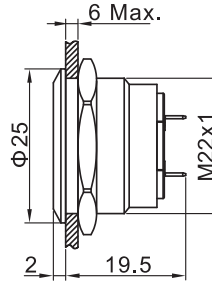
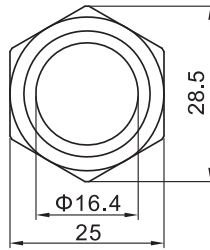
Series AV08(L)/AV09(L)

Anti-Vandal Pushbutton Switches

Non-latching & Latching Ø22mm, Flat Button



Model No.	SPDT Type	
08	OFF	ON
09	OFF	MOM

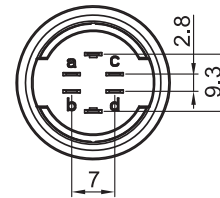
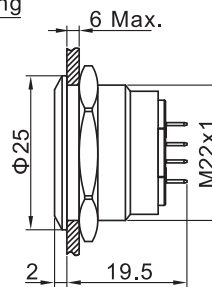
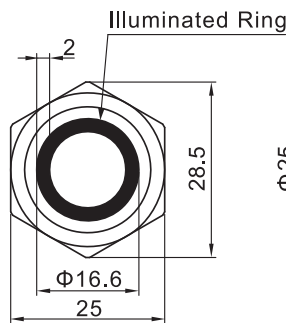


Ex. P/N: AV08-B12-M3-F-SO

Illuminated Non-latching & Latching Ø22mm, Flat Button



Model No.	SPDT Type	
08L	OFF	ON
09L	OFF	MOM

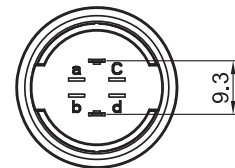
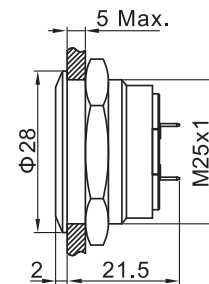
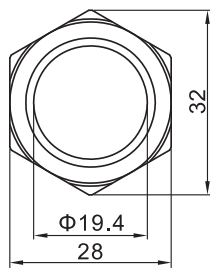


Ex. P/N: AV08L-B12-M3-FR-x-SO-y

Non-latching & Latching Ø25mm, Flat Button



Model No.	SPDT Type	
08	OFF	ON
09	OFF	MOM

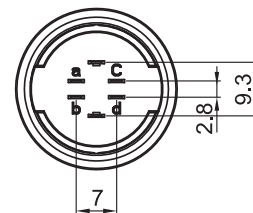
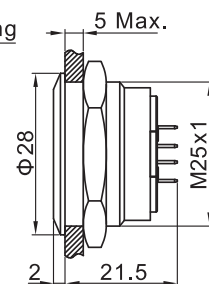
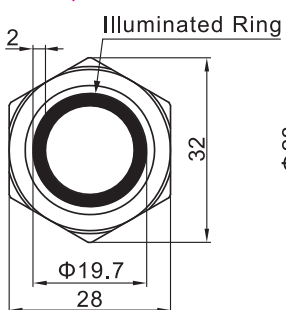


Ex. P/N: AV08-B02-M3-F-SO

Illuminated Non-latching & Latching Ø25mm, Flat Button



Model No.	SPDT Type	
08L	OFF	ON
09L	OFF	MOM



Ex. P/N: AV08L-B02-M3-FR-x-SO-y

Toggle

Rocker

Slide

Pushbutton

AV

Rotary

Tact

Touch Key

Miscellaneous

BUSHING & BUTTON MATERIAL OPTIONS

Code	Bushing Size	Bushing & Button Material
B02,B12,B22,B32,B42	Ø25,22,19,16,12mm	Stainless steel

LED COLOR & VOLTAGE OPTIONS

Code	Button Color	Code	LED Voltage
R	Red	6V	6V DC
G	Green	12V	12V DC
Y	Yellow	24V	24V DC
B	Blue		
W	White		