

SPECIFICATIONS:

WORKING VOLTAGE: 5~30VDC.
 CONTACT RATING: 1.5A @ 5~30VDC.
 CONTACT RESISTANCE: 160m-ohms max.
 ELECTRICAL LIFE: 1 million cycles at full load.
 OPERATING TEMPERATURE: -15°C to +65°C.
 INSULATION RESISTANCE: 600VDC 10M-ohms min.
 ESD RESISTANCE: ± 2KV (25 contact) / ± 8KV (25 air discharge).
 IMPACT RESISTANCE PROTECTION: IK02 (PC) / IK10 (Metal).
 WATER-PROOF PROTECTION: IP68 (Without load).
 PANEL WATER-PROOF PROTECTION: IP66.
 UV RESISTANCE: UVA / UVB.

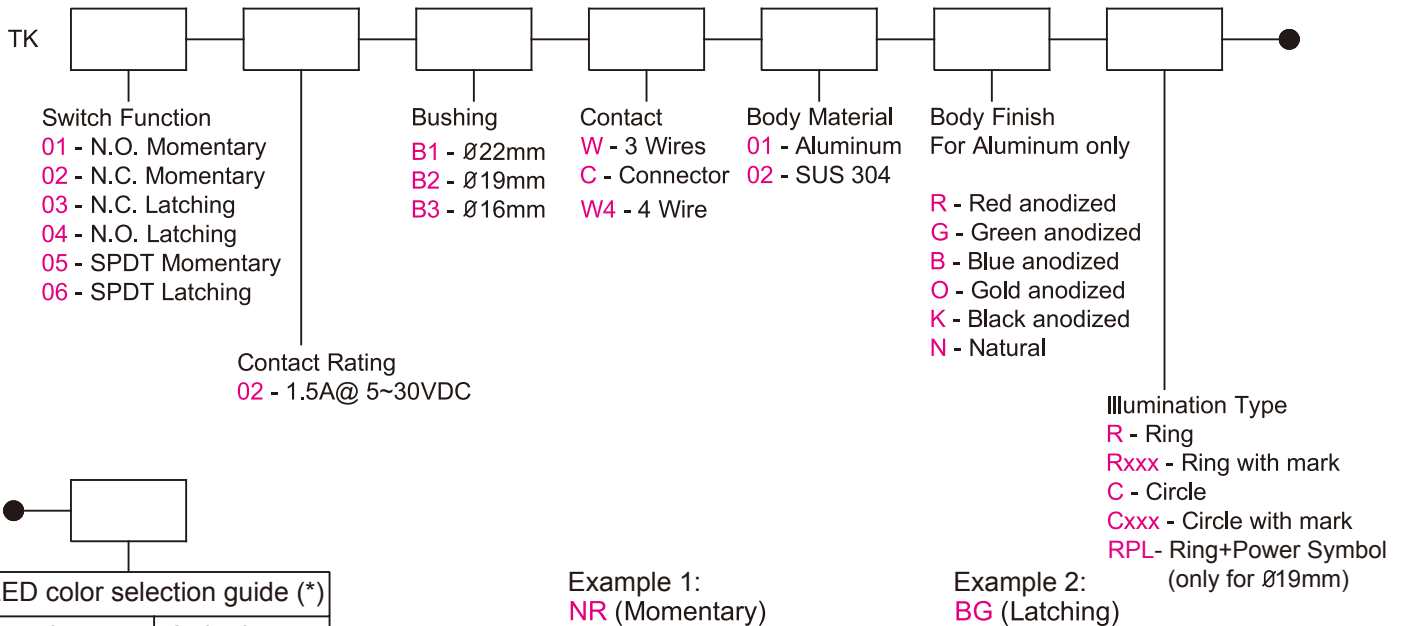
MATERIALS:

KEY: Stainless steel / Aluminum.
 LENS: PC (UL 94V-0).
 HOUSING: Stainless steel / Aluminum.
 CABLE: UL1007 22 AWG.
 TERMINAL: Brass silver plated.
 PANEL SEAL: EVA.

Specifications and Dimensions subject to change

If your preferred product configuration is not shown, please contact our sales representative for custom design.

HOW TO ORDER SYSTEM



LED color selection guide (*)

1st color	2nd color
R : Red	R : Red
G : Green	G : Green
B : Blue	B : Blue
A : Amber	A : Amber
W : White (**)	W : White (**)
N : None	N : None

(*) For example
 NR : None / Red (Example 1)
 BG : Blue / Green (Example 2)
 (**) This is light-blue white

Example 1:
 NR (Momentary)

No.	Behavior	Color
0	Power ON	None
1	Touch	Red
2	Release Touch	None
3	Loop No.1	

Example 2:
 BG (Latching) (only for Ø19mm)

No.	Behavior	Color
0	Power ON	Blue
1	Touch	Green
2	Release Touch	Green
3	Touch	Blue
4	Release Touch	Blue
5	Loop No.1	

SWITCH FUNCTIONS

※ Power ON Status

	Non-Illuminated	1 LED		2 LED
NO - MOM				
NC - MOM				
NC - NO Latching				
NO - NC Latching				
SPDT Momentary				
SPDT Latching				

Toggle

Rocker

Slide

Pushbutton

AV

Rotary

Tact

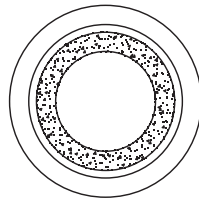
Touch Key

Miscellaneous

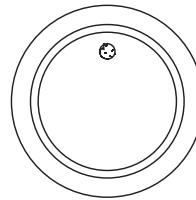
ILLUMINATION TYPES

Mark options Ordering Code									
1	2	3	4	5	6	7	8	9	10
001	002	003	004	005	006	007	008	009	010
					OK	POWER	STOP	ON	OFF
011	012	013	014	015	016	017	018	019	020
021	022	023	024	025	026	027	028	029	030

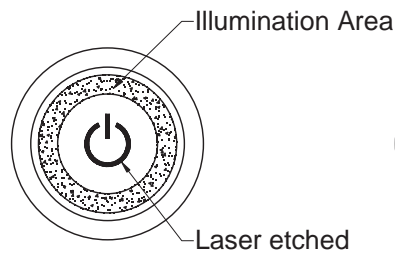
Ring



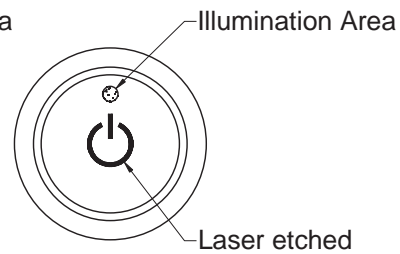
Circle



* Example of Ring / Circle type with mark



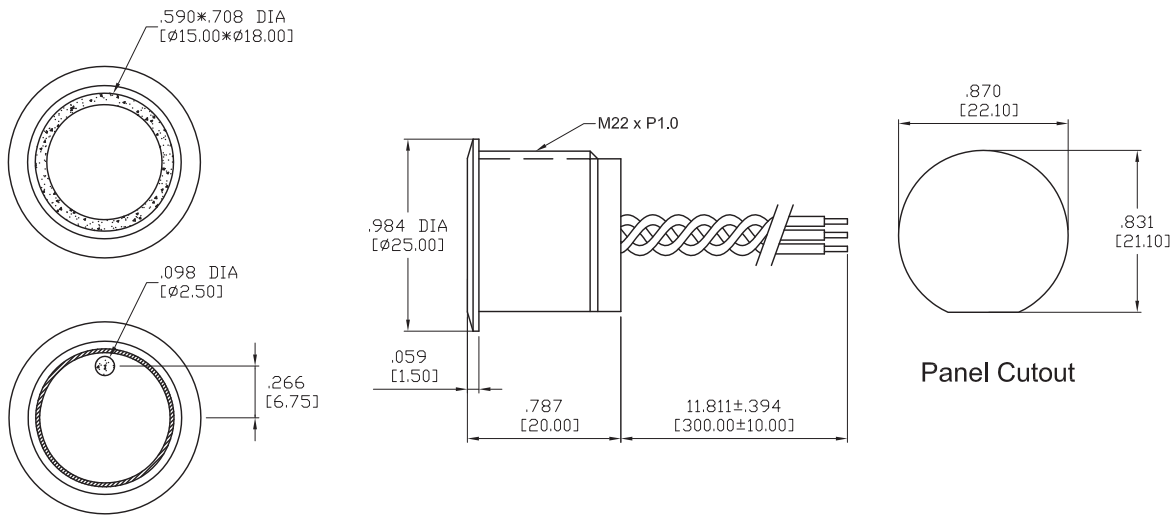
Part Code: R011



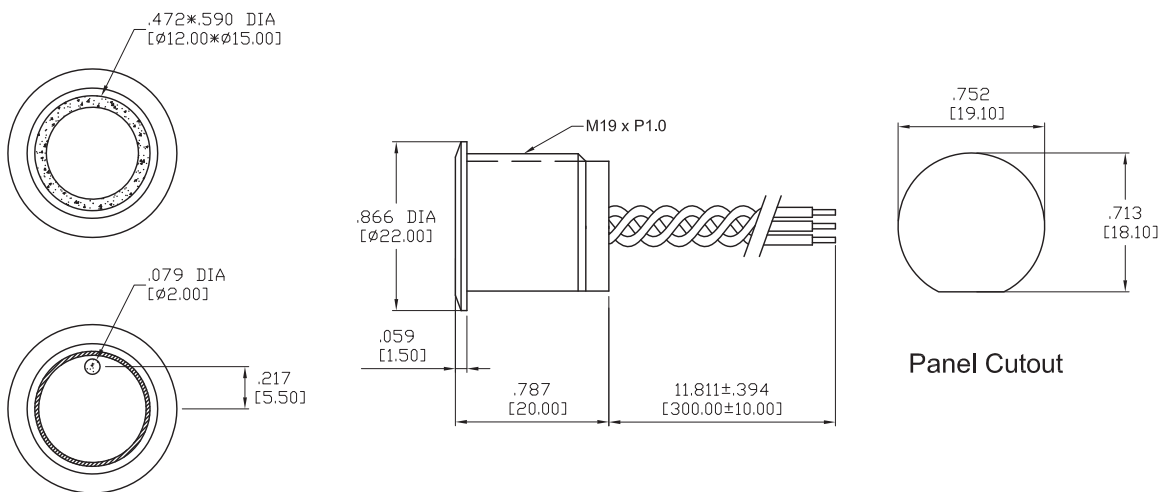
Part Code: C011

* Please consult factory for a customized illumination option.

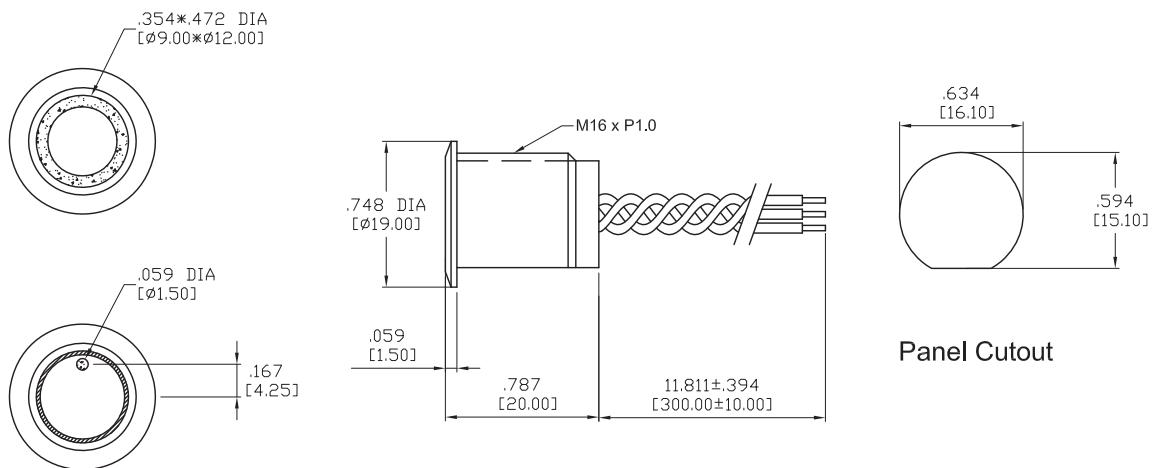
Ø22mm Mounting



Ø19mm Mounting

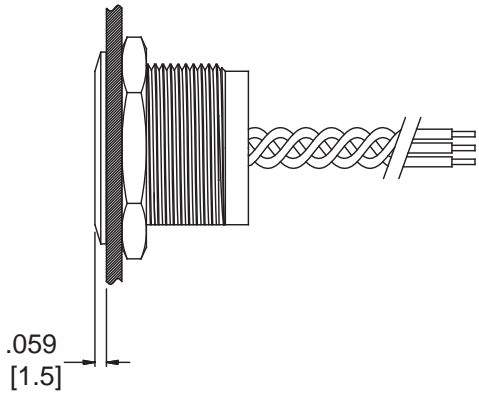
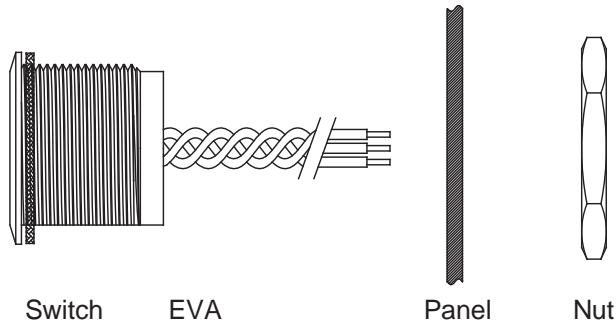


Ø16mm Mounting



Toggle
Rocker
Slide
Pushbutton
AV
Rotary
Tact
Touch Key
Miscellaneous

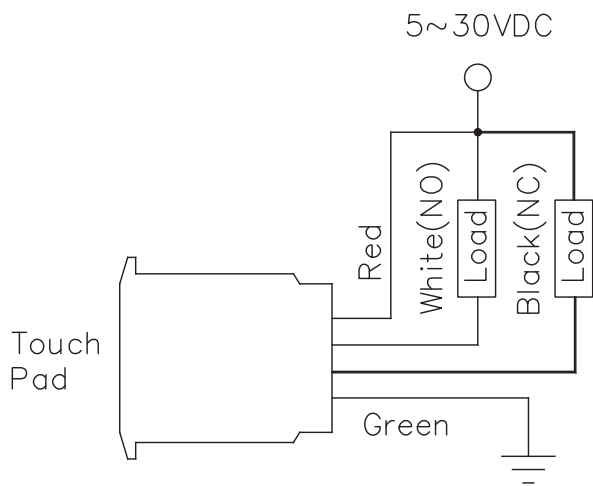
Assembly Drawing



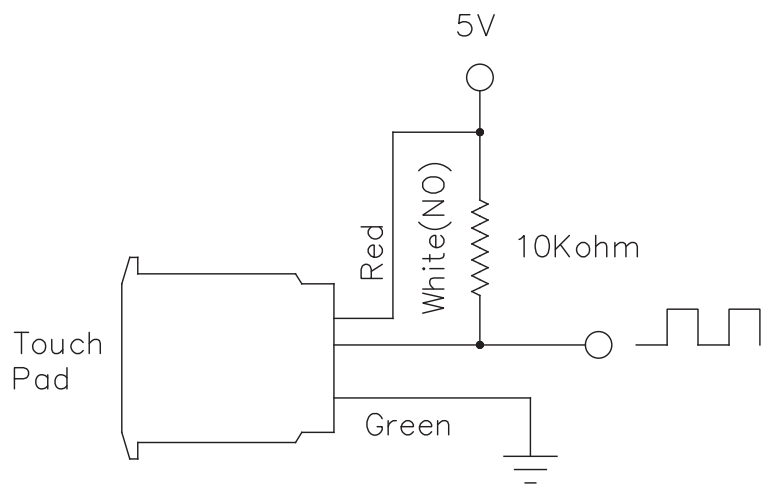
Panel Thickness	0.7~10.0t
Nut Spec.	19*3-M16*P1.0
	22*3-M19*P1.0
	25*3-M22*P1.0
Assembly Force	20N/mm ²

Cable Position		
INPUT	OUTPUT	GND
Red	White	Green

Application



[Driver Load]



[TTL Output]