

TAIWAY®

Switches

Since 1976

# ● 產品介紹 Introduction of products ●

泰瑋電子有限公司

TAIWAY ELECTRONICS COMPONENTS CO., LTD

TAIWAY



# Series II Anti-Vandal Indicator

TAIWAY ELECTRONICS COMPONENTS CO., LTD

## Product Group *NEW!*

### Anti-Vandal Indicator <sub>CE</sub>

|                     |  |
|---------------------|--|
| Type                | <b>Indicator Light – IL-NI Series</b>  |
| Mounting            | 6, 8, 10, 12, 14, 16, 19, 22, 25mm   |
| Current Consumption | 15~20mA  |
| Voltage Range       | AC/DC Compatible<br>6V, 12V, 24V, 36V<br>110V, 220V (limited models only)  |
| Illumination Type   | Flat, Domed, T-Flat  |
| Terminal Option     | Tab, Screw Terminal (limited models only)  |
| LED Option          | Red, Green, Yellow, Orange, Blue, White  |
| Features            | <ul style="list-style-type: none"> <li>•Choice of bushing materials and illumination types</li> <li>•IP67 front panel protection class</li> <li>•Operating temperature: -40 to +85 Celsius Degree</li> </ul> |
| Applications        | <ul style="list-style-type: none"> <li>•Instruments</li> </ul>   |

## Anti-Vandal Indicator <sub>CE</sub>



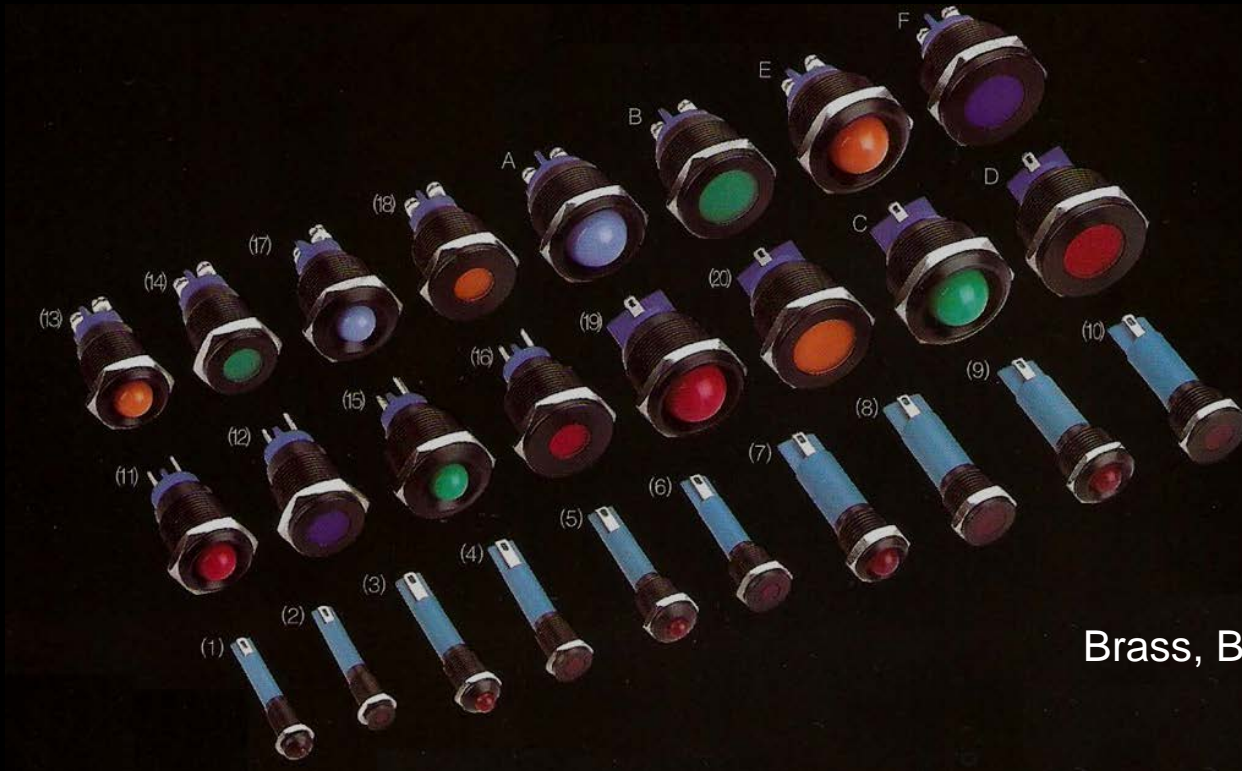
Brass, Nickel Finish

## Anti-Vandal Indicator <sub>CE</sub>



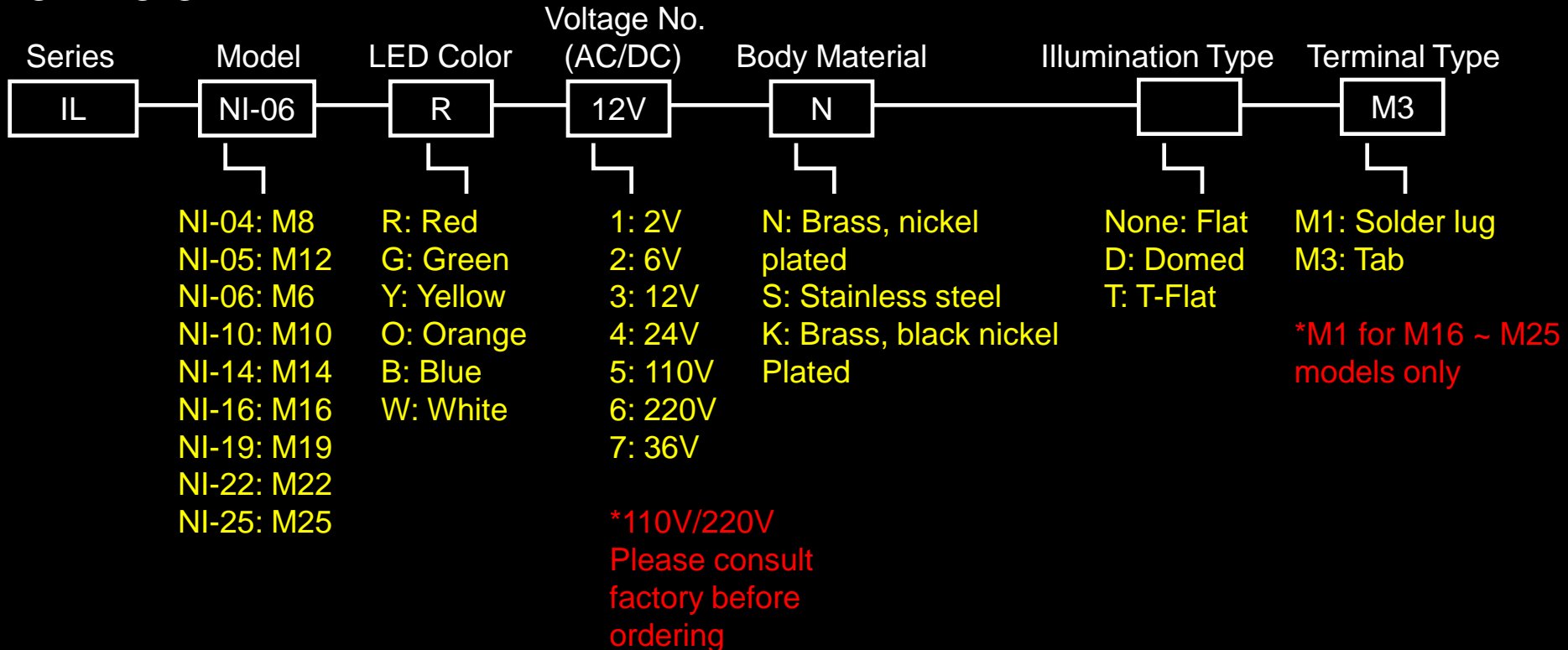
Stainless Steel Finish

## Anti-Vandal Indicator <sub>CE</sub>



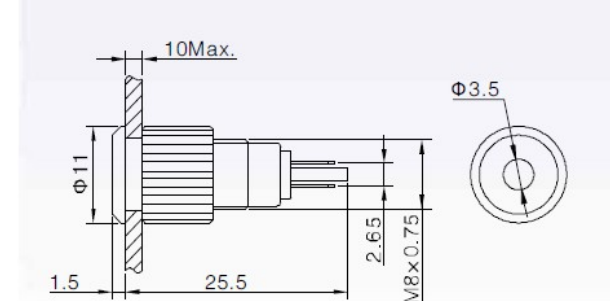
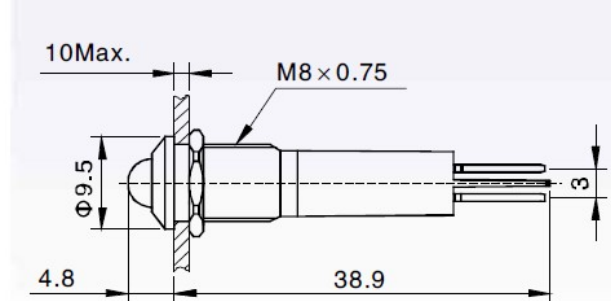
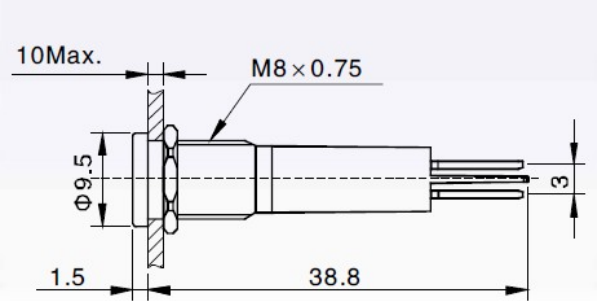
Brass, Black Nickel Finish

## HOW TO ORDER



## NI-04 Model

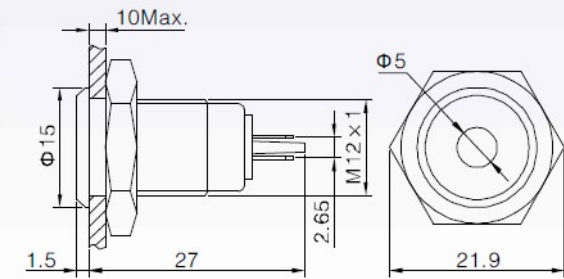
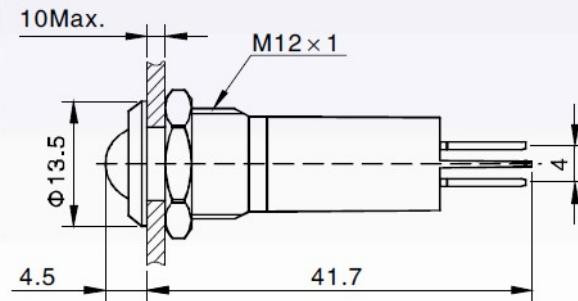
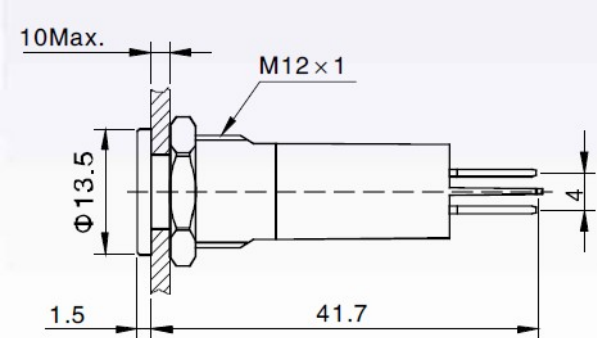
Anti-Vandal Indicator <sub>CE</sub>





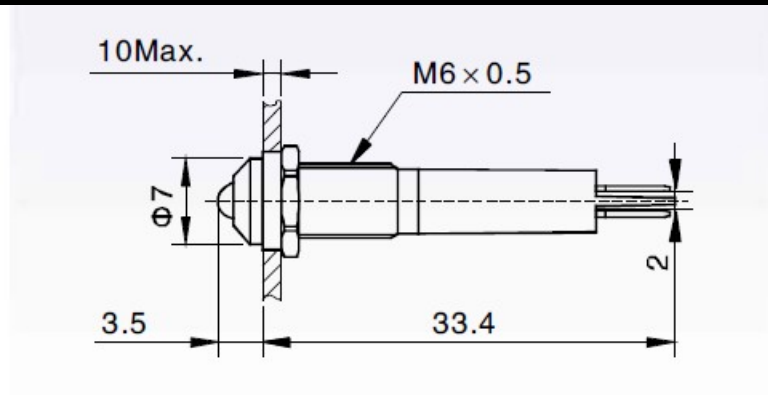
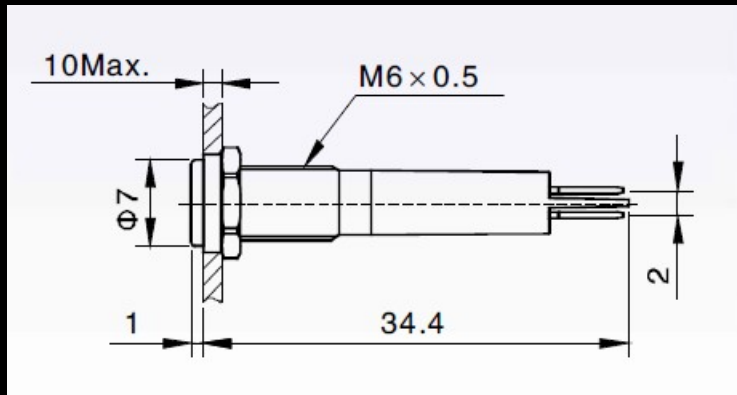
## NI-05 Model

Anti-Vandal Indicator <sub>CE</sub>



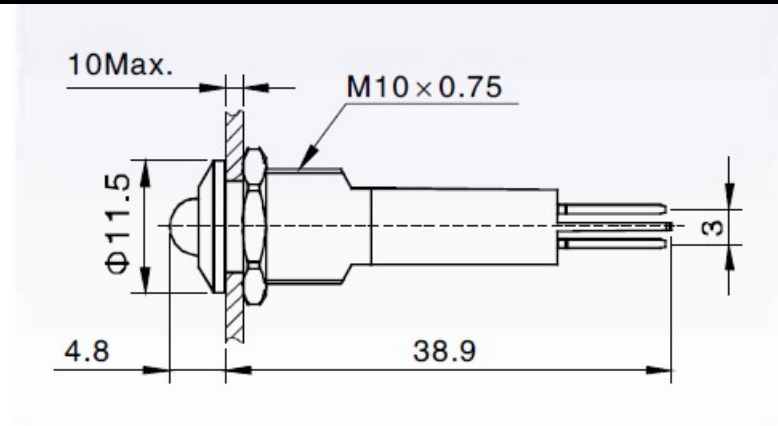
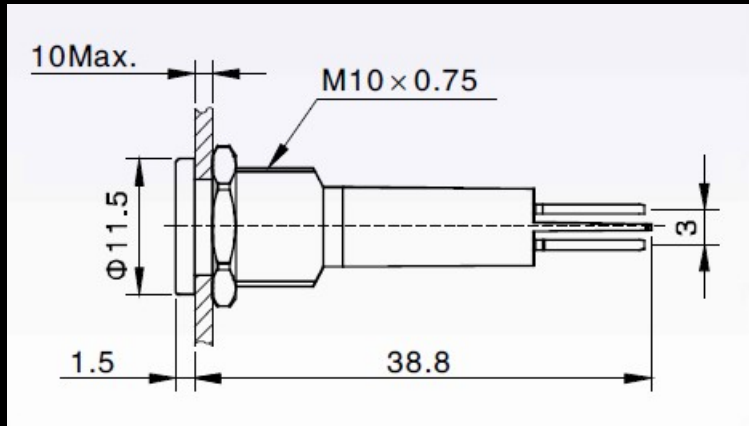
## NI-06 Model

Anti-Vandal Indicator <sub>CE</sub>



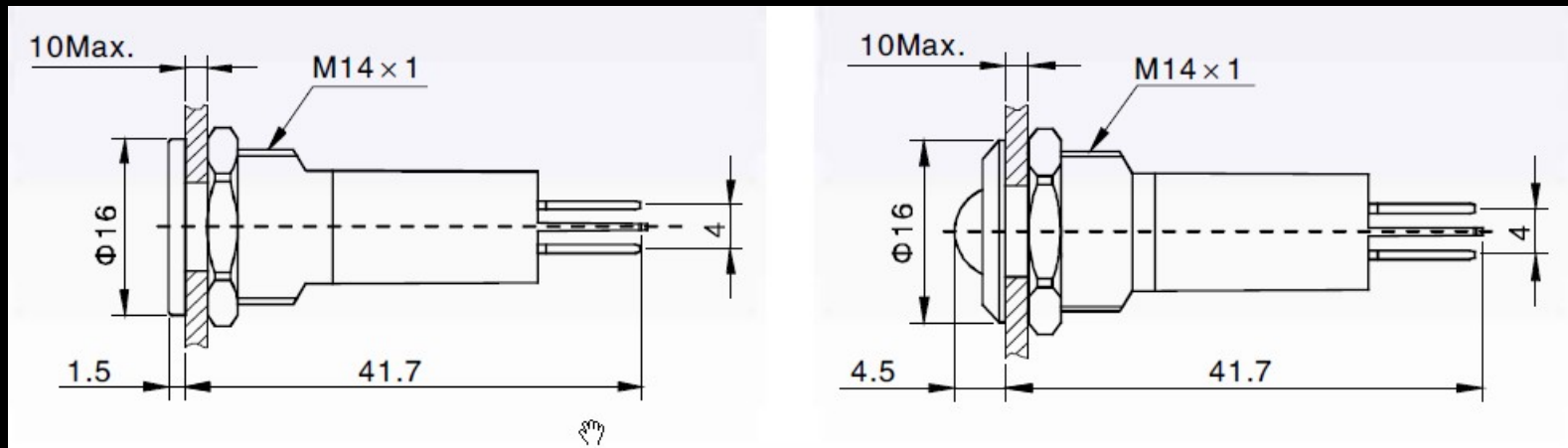
## NI-10 Model

Anti-Vandal Indicator <sub>CE</sub>



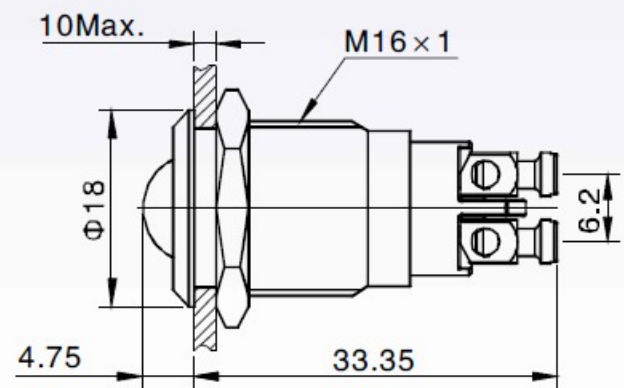
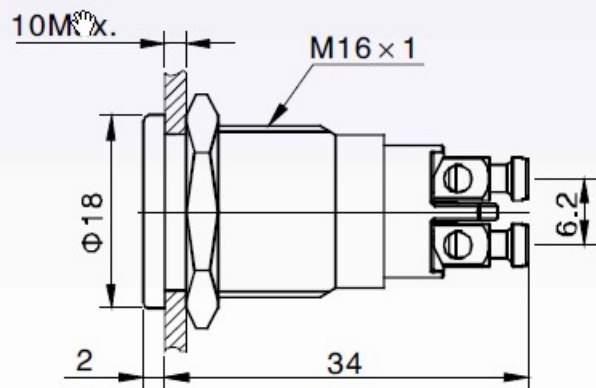
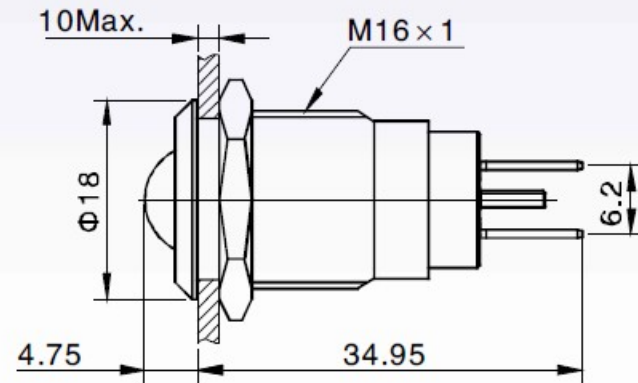
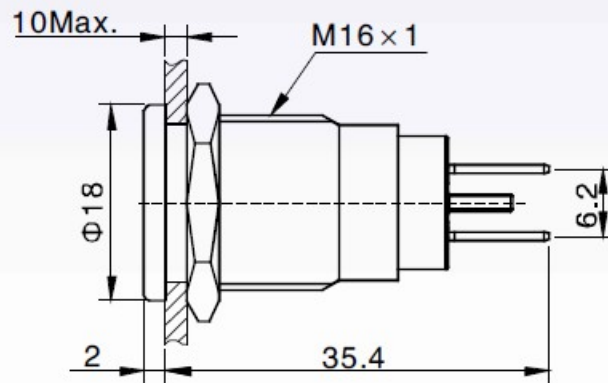
## NI-14 Model

Anti-Vandal Indicator <sub>CE</sub>



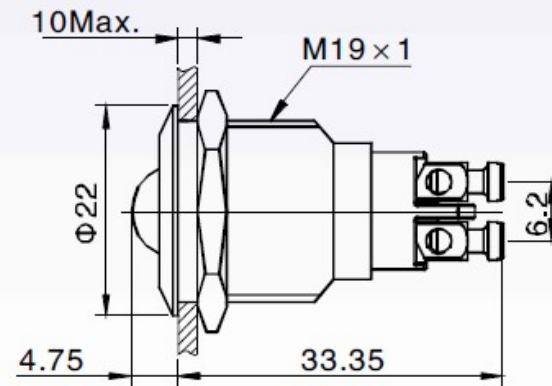
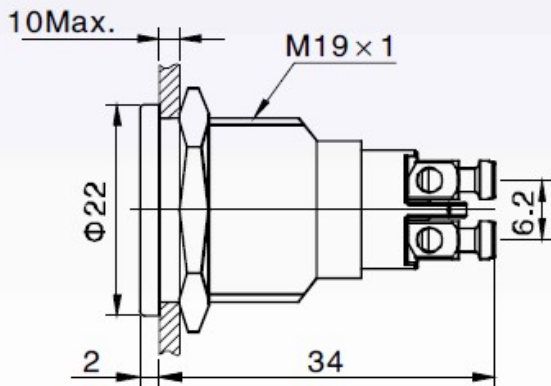
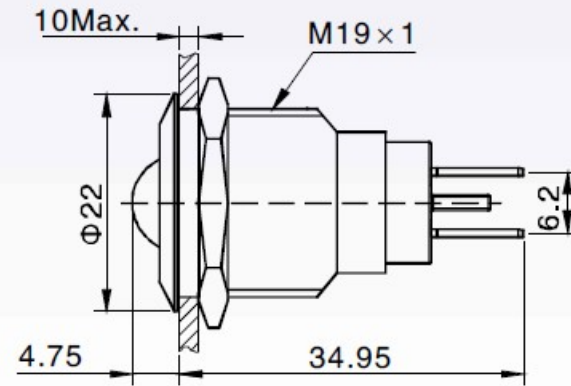
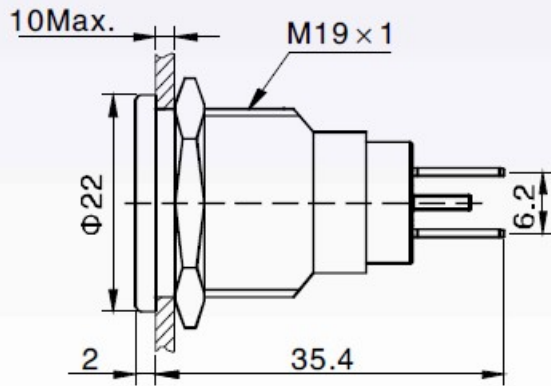
## NI-16 Model

Anti-Vandal Indicator <sub>CE</sub>



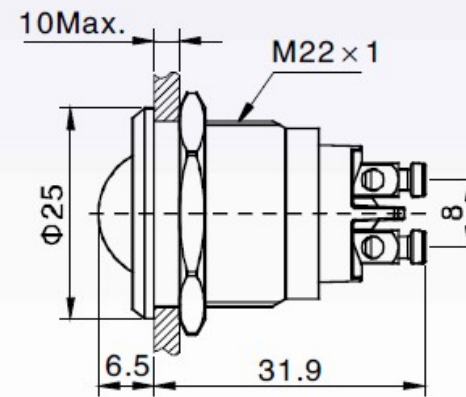
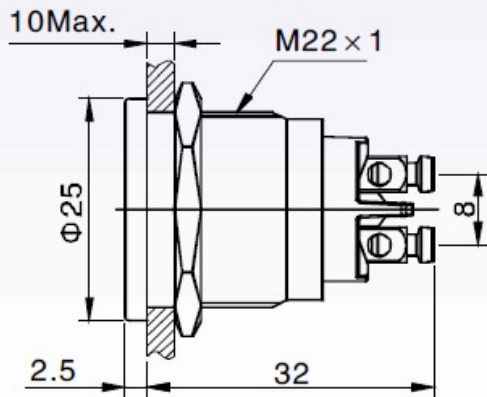
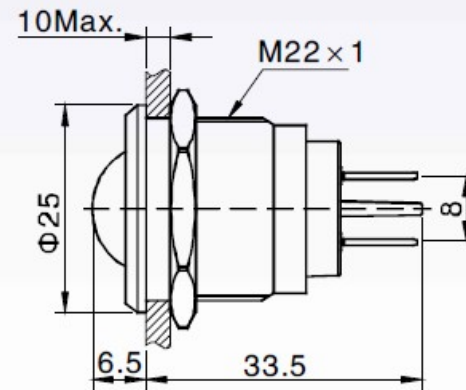
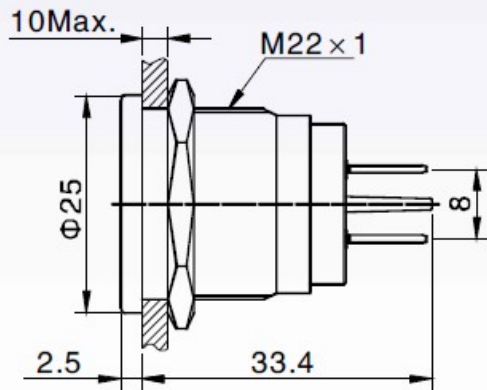
## NI-19 Model

Anti-Vandal Indicator <sub>CE</sub>



## NI-22 Model

Anti-Vandal Indicator <sub>CE</sub>



## NI-25 Model

Anti-Vandal Indicator <sub>CE</sub>

