

SPECIFICATIONS:

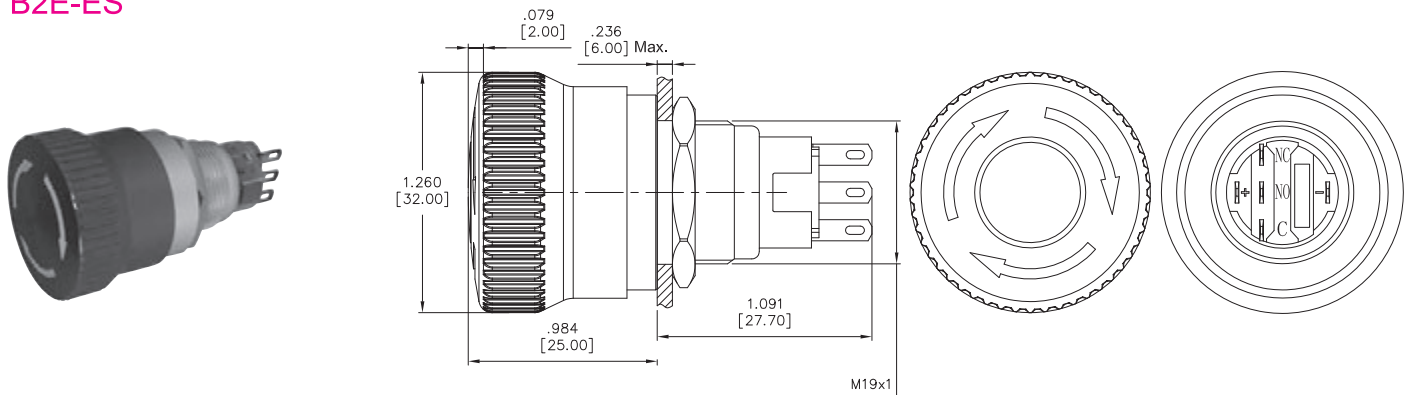
BUSHING: ϕ 19mm, ϕ 22mm.
 CONTACT RATING: 0.5A 220V/ 0.7A 24VDC.
 ELECTRICAL LIFE: 50,000cycles at full load.
 CONTACT RESISTANCE: 50m-ohms max.
 INSULATION RESISTANCE: 1,000M-ohms min @ 500VDC.
 DIELECTRIC STRENGTH: 2,000VAC 50~60Hz.
 IP CLASS: IP65 & IK02.
 TORQUE: 5~14Nm max. applied to nut
 OPERATING FORCE: 19mm 0.6Nm/ 22mm 1.0Nm max.
 OPERATING TEMPERATURE: $-20^{\circ}\text{C} \sim +55^{\circ}\text{C}$.
 SWITCH FUNCTION: N.O. / N.C. turn to unlock

MATERIALS:

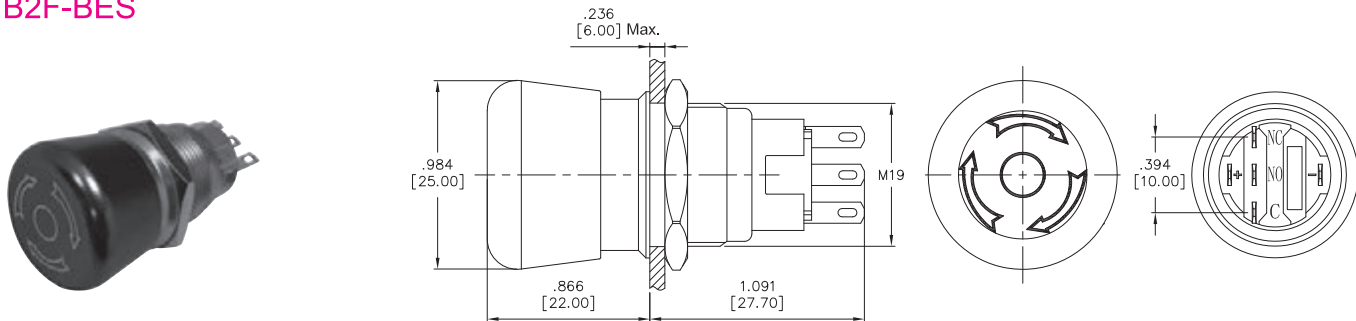
BUSHING: Please refer to Bushing & Button Material Options
 CONTACT: Stainless steel
 BASE: PBT

Specifications and Dimensions subject to change

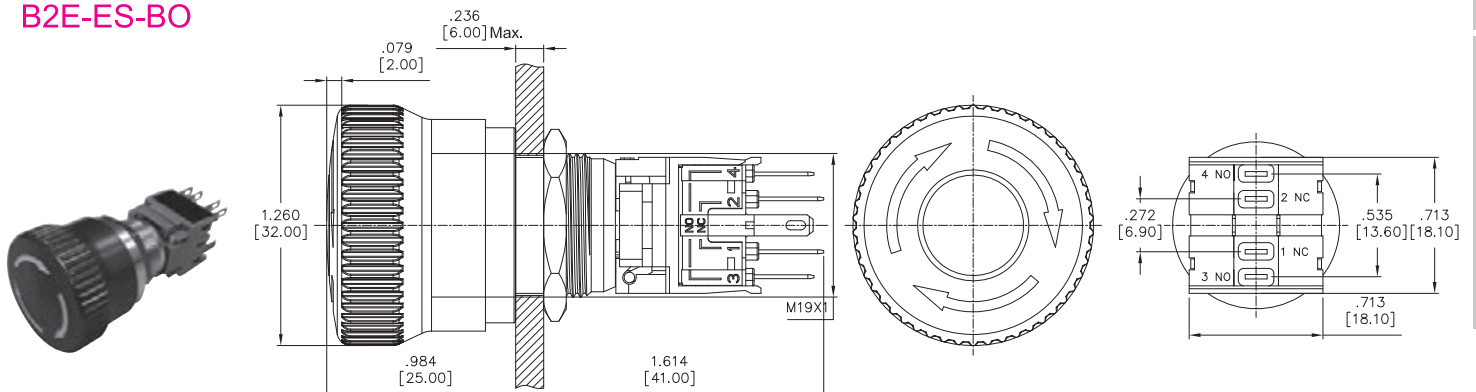
B2E-ES



B2F-BES



B2E-ES-BO



* BO option is not available with BES

Toggle

Rocker

Slide
Pushbutton

AV

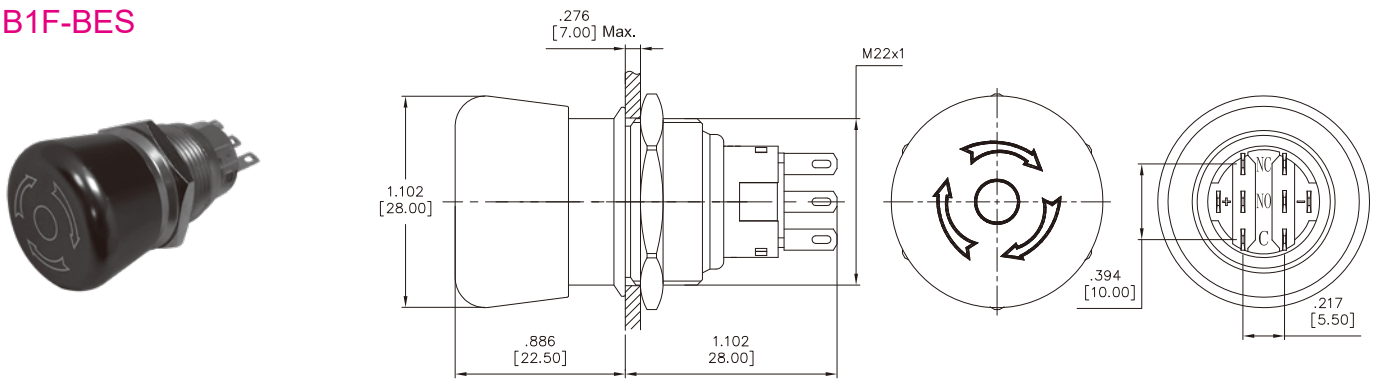
Rotary

Tact

Touch Key

Miscellaneous

B1F-BES

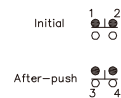


BUSHING & BUTTON MATERIAL OPTIONS

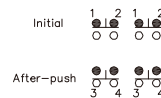
Code	Bushing Size	Bushing & Button Material	MOQ
B2E	∅ 19mm	Al alloy body, red button	100 PCS
B1F / B2F	∅ 22 / 19mm	Al alloy, gold anodized body, red button	100 PCS

CIRCUIT DIAGRAM

1NO1NC



2NO2NC



PART NO. CONFIGURATION

