

## SPECIFICATIONS:

CONTACT RATING: Ø19,30mm 0.5A@220~250VAC (Resistive & Inductive load)

For 19mm switch with base  
 2A @ 220~250VAC inductive load  
 3A @ 220~250VAC resistive load

ELECTRICAL LIFE: 50,000 make-and-break cycles at full load.

CONTACT RESISTANCE: 50mΩ max. initial @2-4VDC

INSULATION RESISTANCE: 1,000MΩ Min. @500VDC

DIELECTRIC STRENGTH: 2,000V RMS @ 50~60Hz.

OPERATING TEMPERATURE: -20°C~+55°C.

## MATERIALS:

Bushing & Button: Refer to below table.

Contact: Silver alloy.

Nut: Nickel plated brass.

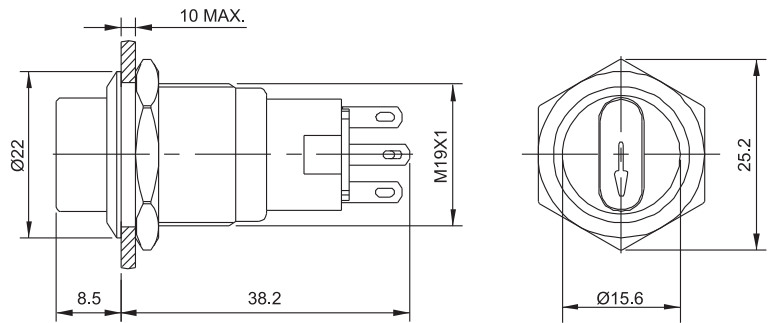
Base: PBT.

### 19mm, Selector with illuminated arrow



Model No.	SPDT Type	
02L	ON	MOM
03L	ON	ON

Model No.	DPDT Type	
12L	ON	MOM
13L	ON	ON

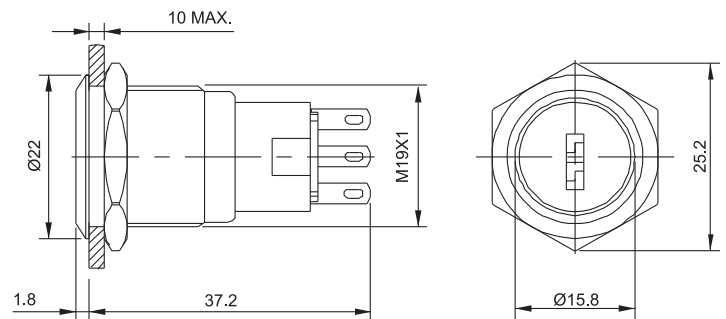


### 19mm, Key



Model No.	SPDT Type	
02	ON	MOM
03	ON	ON

Model No.	DPDT Type	
12	ON	MOM
13	ON	ON

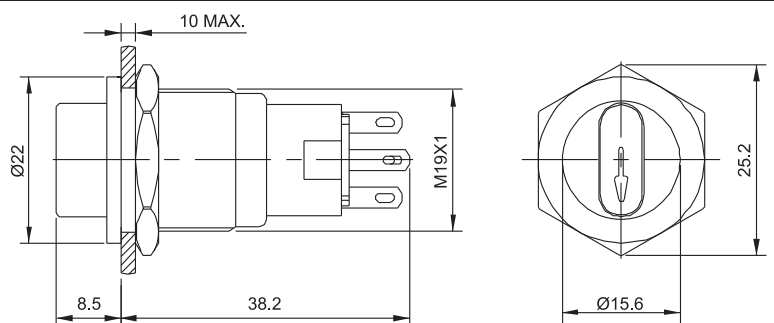


### 19mm, Selector with illuminated arrow



Model No.	SPDT Type	
02L	ON	MOM
03L	ON	ON

Model No.	DPDT Type	
12L	ON	MOM
13L	ON	ON

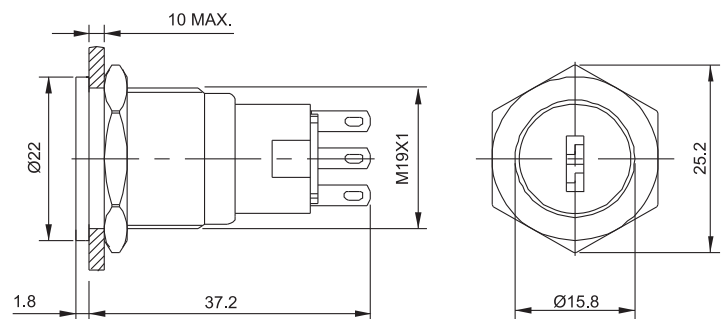


### 19mm, Key



Model No.	SPDT Type	
02	ON	MOM
03	ON	ON

Model No.	DPDT Type	
12	ON	MOM
13	ON	ON



Toggle

Rocker

Slide

Pushbutton

AV

Rotary

Tact

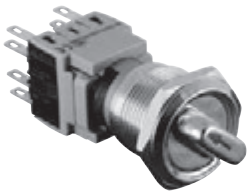
Touch Key

Miscellaneous

# Series AVx

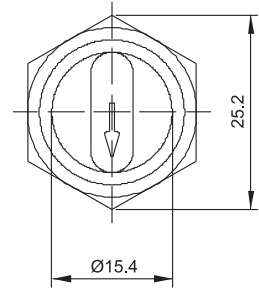
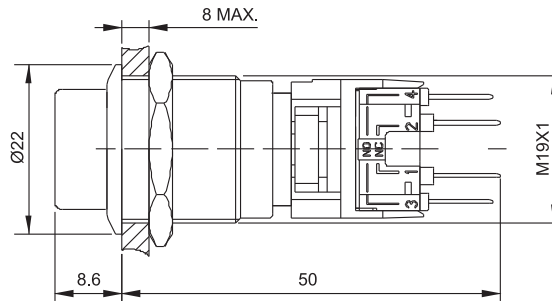
# Anti-Vandal Key and Selector Switches

## 19mm, Selector with Base, illuminated arrow



Model No.	SPDT Type	
02L	ON	MOM
03L	ON	ON

Model No.	DPDT Type	
12L	ON	MOM
13L	ON	ON

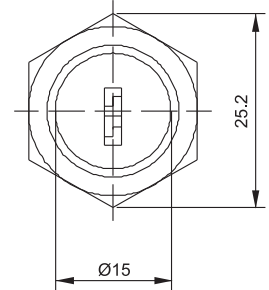
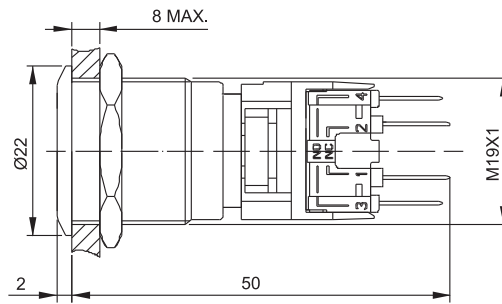


## 19mm, Key with Base



Model No.	SPDT Type	
02	ON	MOM
03	ON	ON

Model No.	DPDT Type	
12	ON	MOM
13	ON	ON

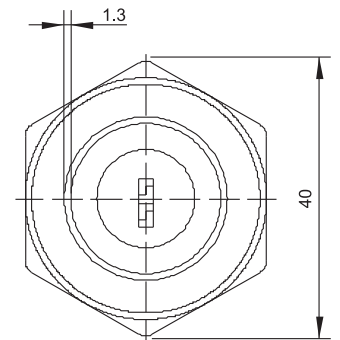
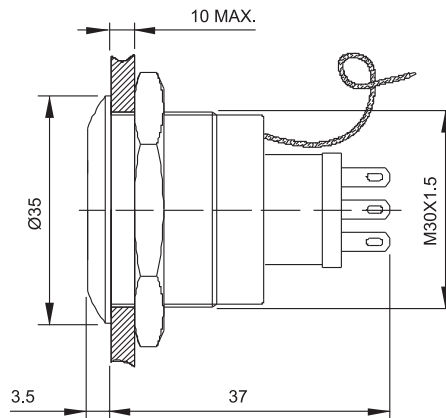


## 30mm, Key with illuminated ring



Model No.	SPDT Type	
02L	ON	MOM
03L	ON	ON

Model No.	DPDT Type	
12L	ON	MOM
13L	ON	ON

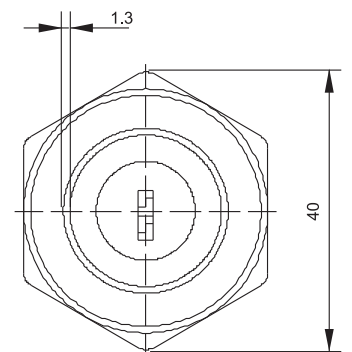
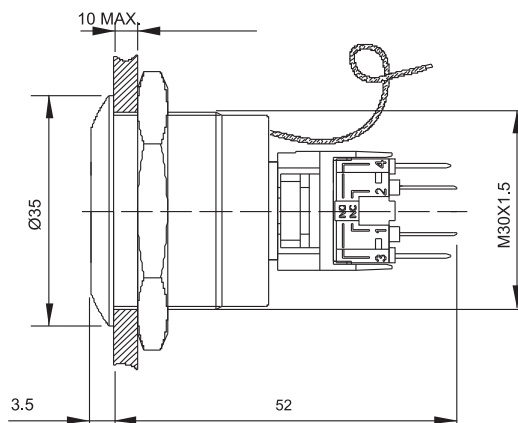


## 30mm, Knob with Base, illuminated ring



Model No.	SPDT Type	
02L	ON	MOM
03L	ON	ON

Model No.	DPDT Type	
12L	ON	MOM
13L	ON	ON



## BUSHING & BUTTON MATERIAL OPTIONS

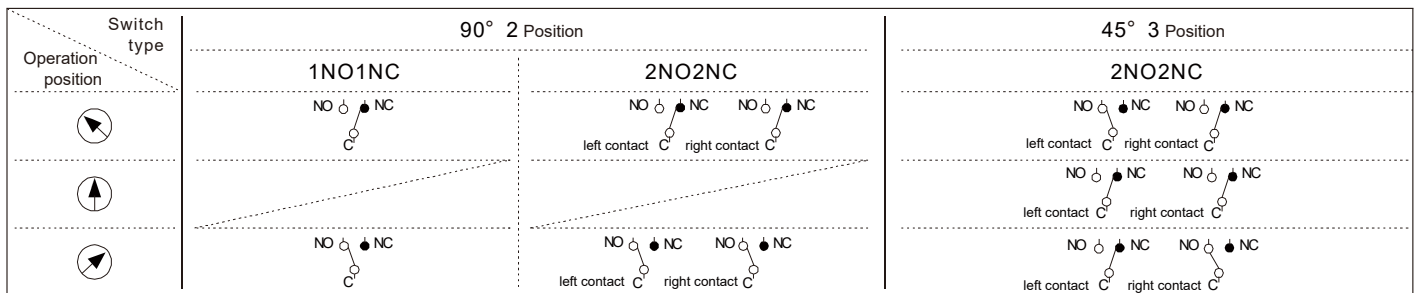
Code	Bushing Size	Bushing & Button Material
B22	Ø19mm	Stainless steel with varnished polished
BB2	Ø30mm	Stainless steel with varnished polished

## OPTION CODE

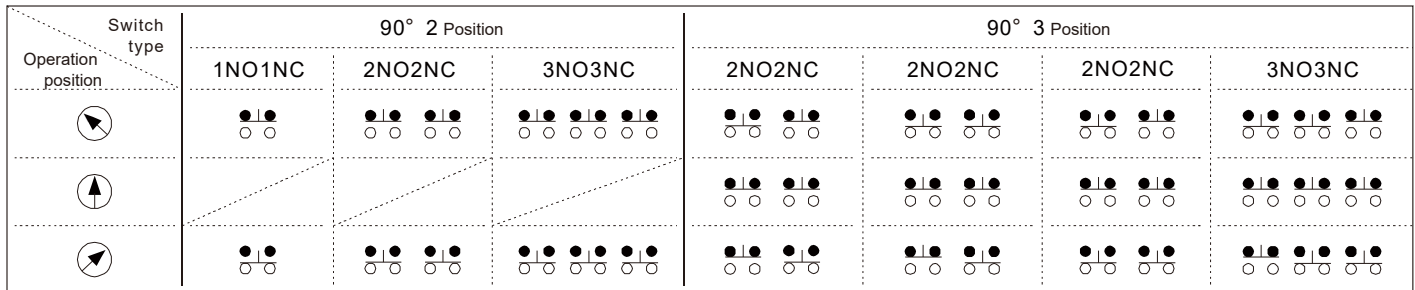
Code	LED Voltage and Consumption
6V	6V (AC/DC Compatible) 15mA
12V	12V (AC/DC Compatible) 15mA
24V	24V (AC/DC Compatible) 15mA
36V	36V (AC/DC Compatible) 15mA
110V	110V (AC/DC Compatible) 5mA
220V	220V (AC/DC Compatible) 5mA

## key and Selector operation chart

### 19mm & 30mm key and selector switch



### 19mm & 30mm key and selector switch with base



## HOW TO ORDER

