

## SPECIFICATIONS:

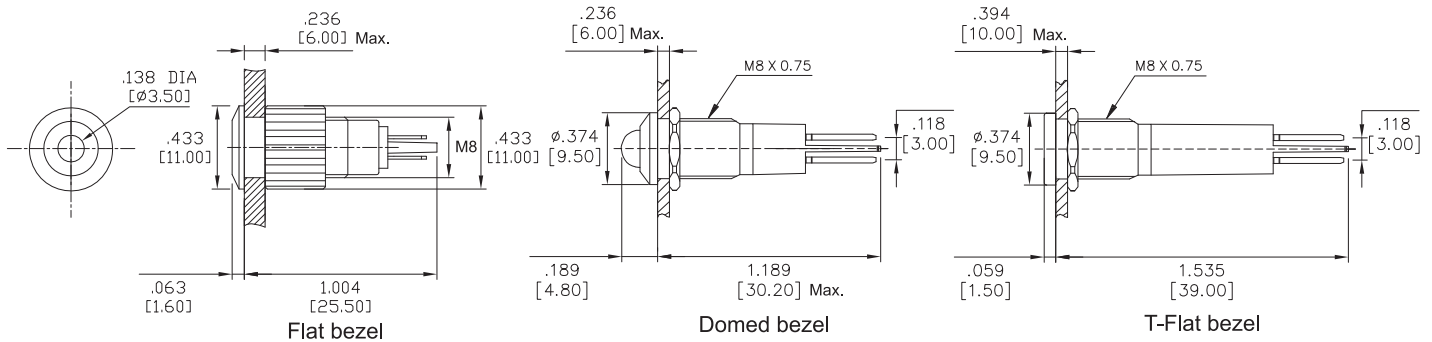
VOLTAGE RANGE: Refer to Voltage Option.  
 RATED CURRENT: 15mA.  
 DIELECTRIC STRENGTH: 1,100V RMS 50~60Hz.  
 OPERATING TEMPERATURE: -20°C to +55°C  
 IP CLASS: IP67 / IP68 front panel protection.  
 TORQUE: 5~14Nm max. applied to nut.

## MATERIALS:

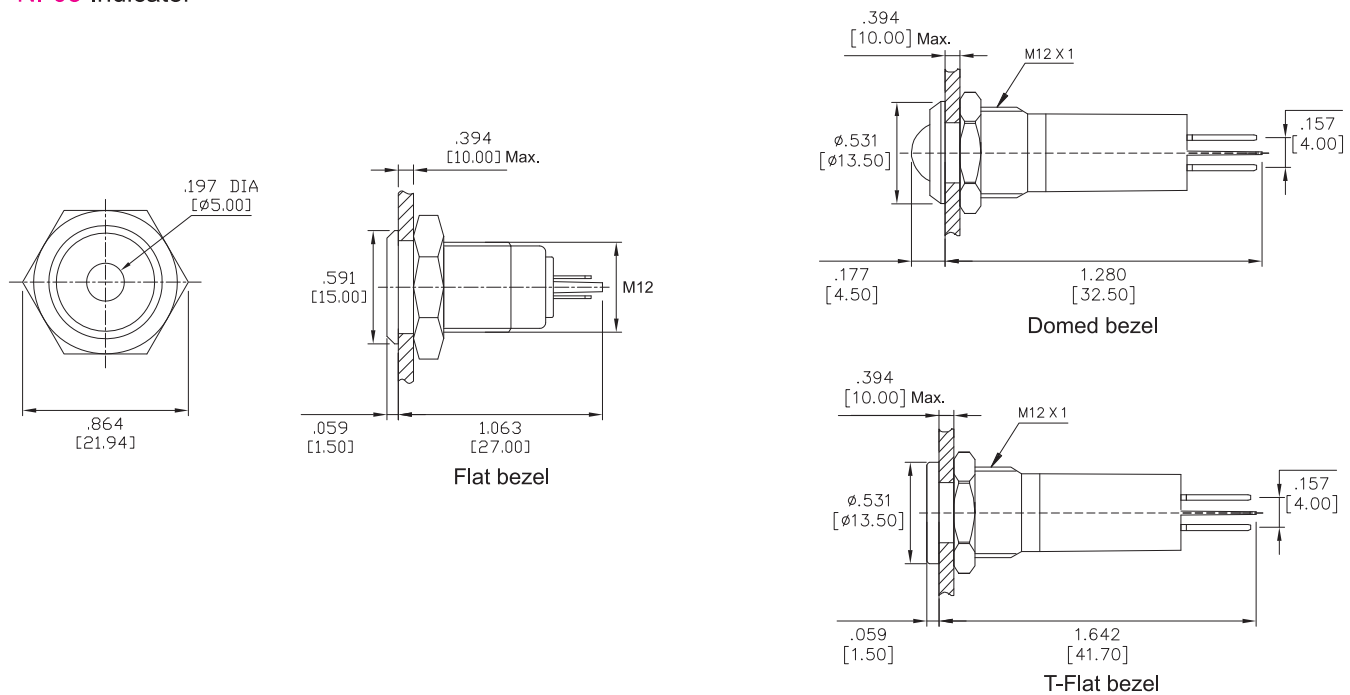
LED COVER: PC.  
 BODY: Brass nickel plated, Stainless steel,  
 Brass black nickel Plated  
 BASE: PBT.  
 ILLUMINANT: LED.

Specifications and Dimensions subject to change

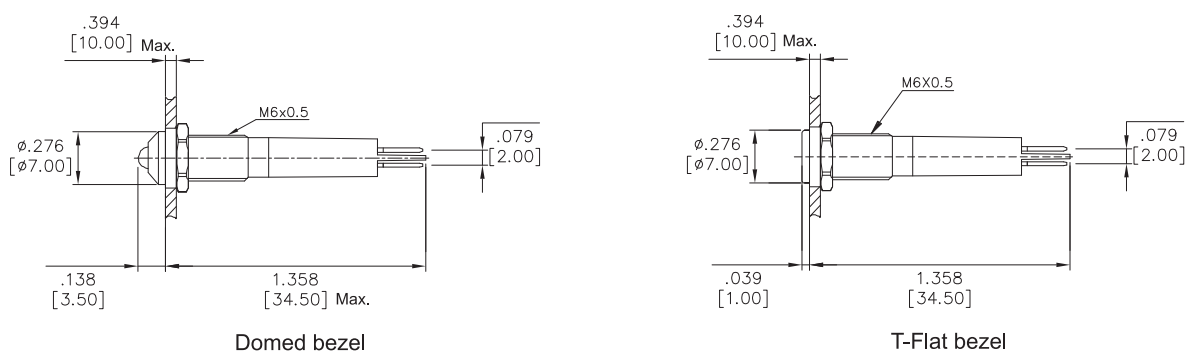
### NI-04 Indicator



### NI-05 Indicator



### NI-06 Indicator



Toggle

Rocker

Slide

Pushbutton

AV

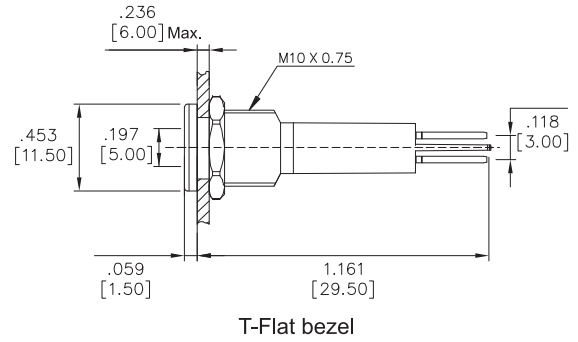
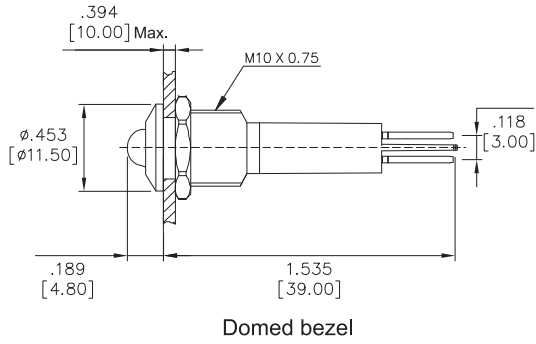
Rotary

Tact

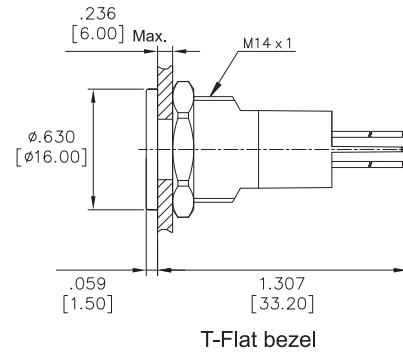
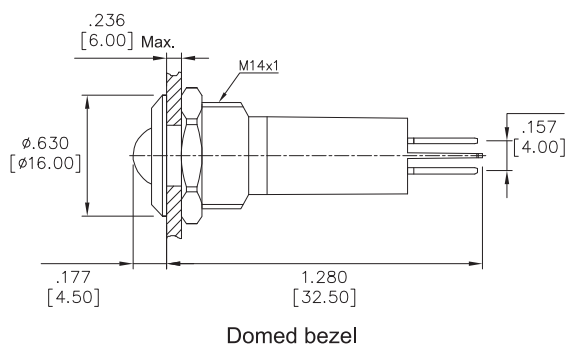
Touch Key

Miscellaneous

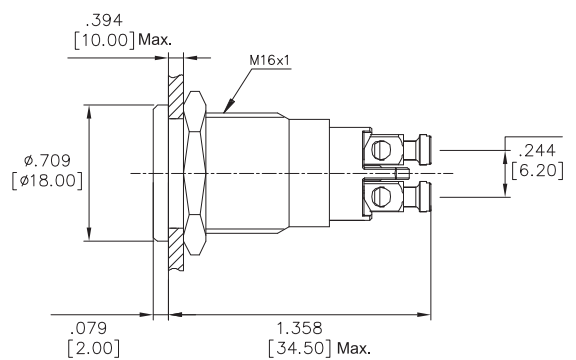
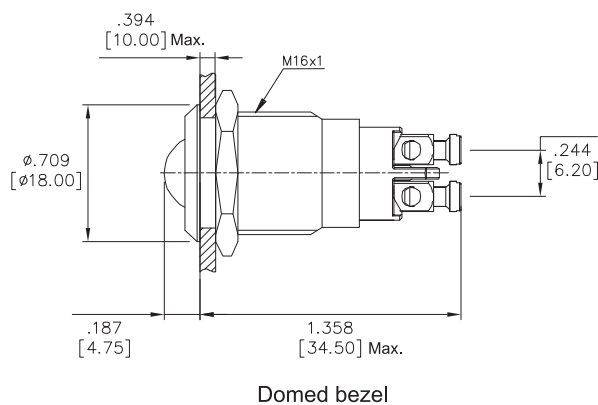
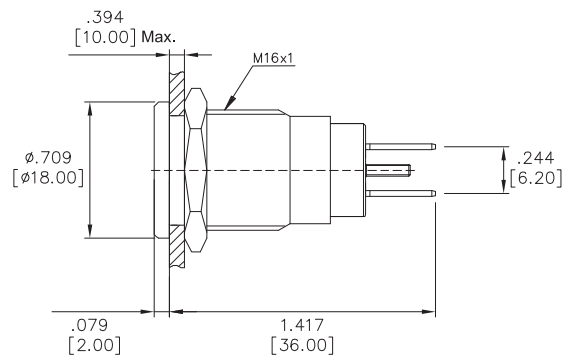
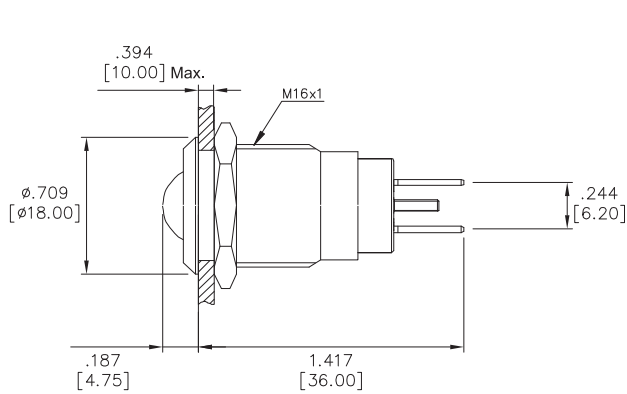
## NI-10 Indicator



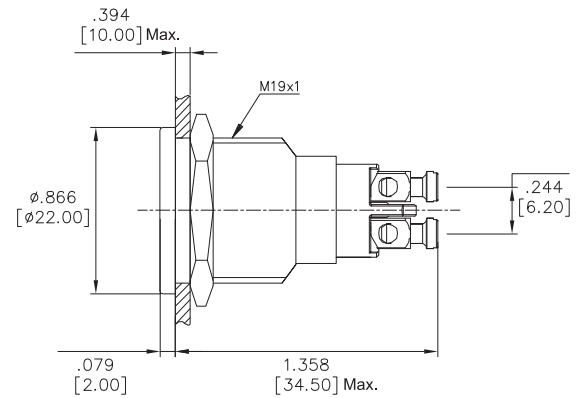
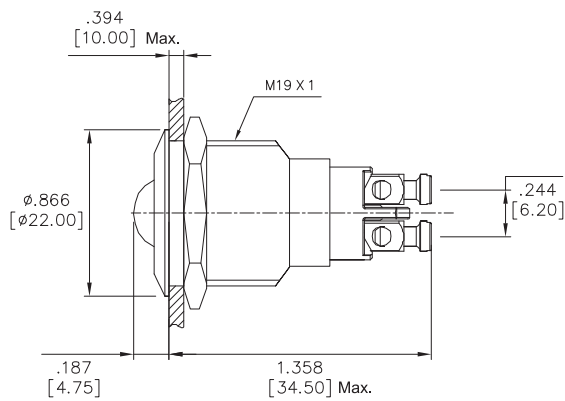
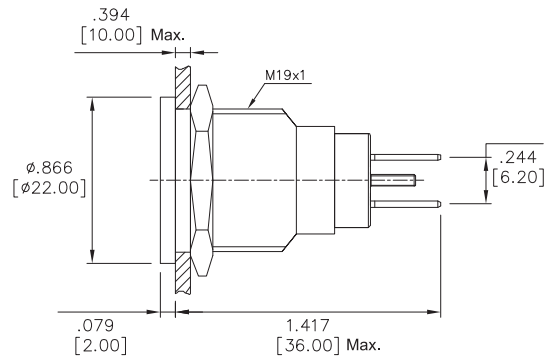
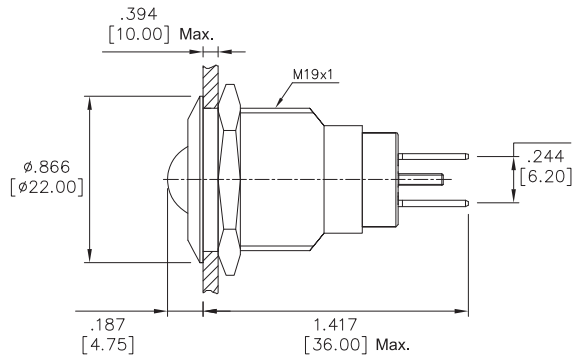
## NI-14 Indicator



## NI-16 Indicator



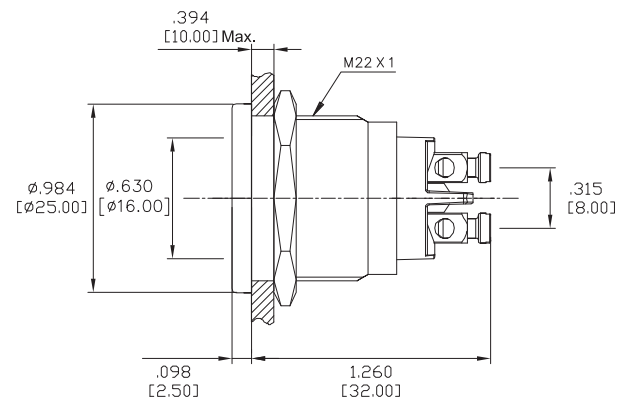
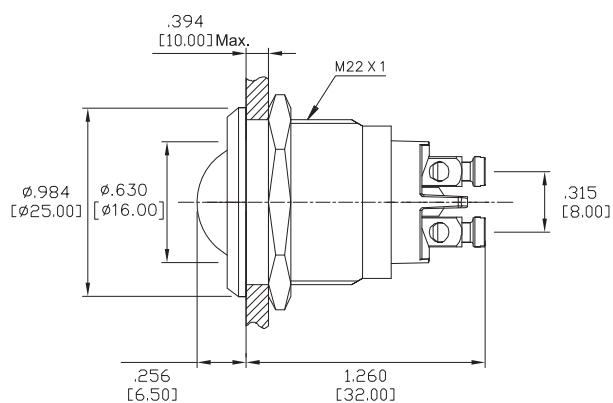
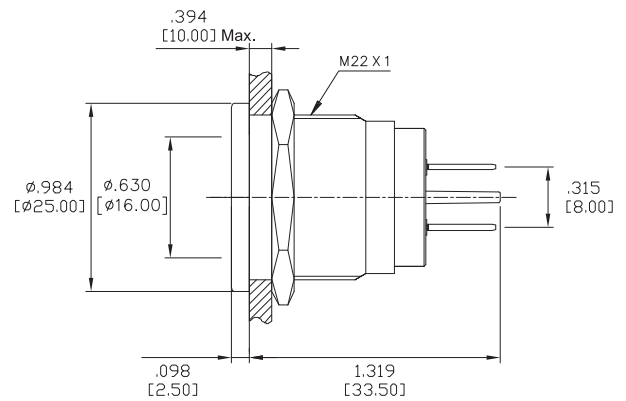
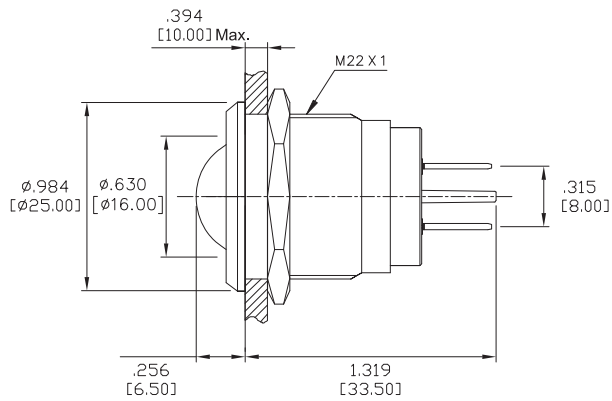
## NI-19 Indicator



Domed bezel

T-Flat bezel

## NI-22 Indicator



Domed bezel

T-Flat bezel

Toggle

Rocker

Slide

Pushbutton

AV

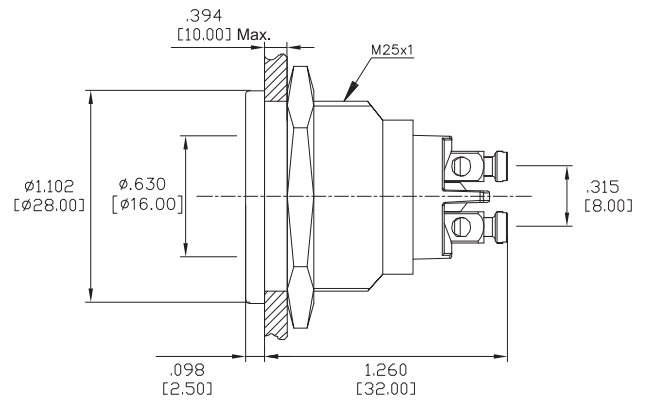
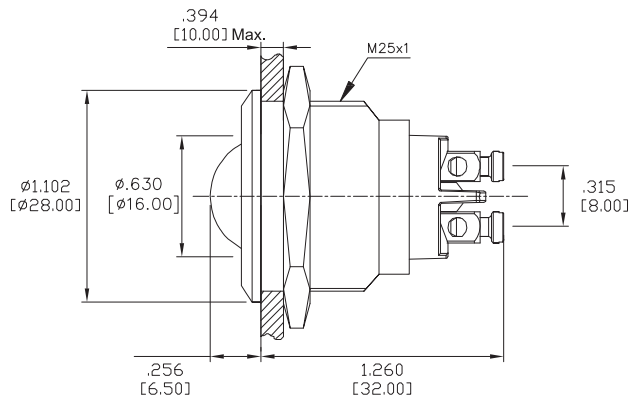
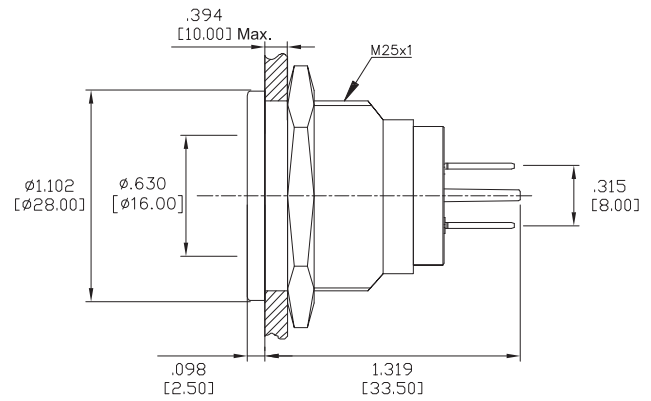
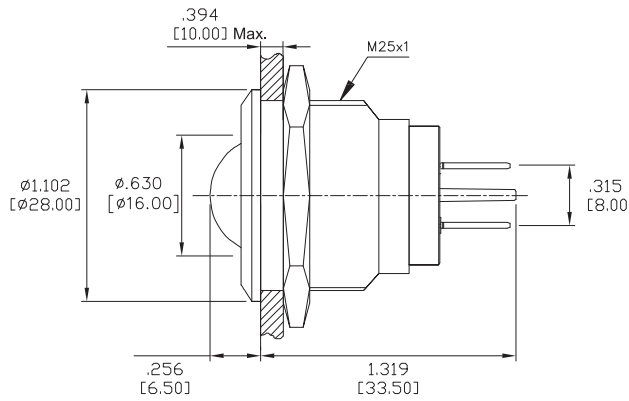
Rotary

Tact

Touch Key

Miscellaneous

## NI-25 Indicator



Domed bezel

T-Flat bezel

## LED & VOLTAGE OPTIONS & BODY MATERIAL

### LED Colors

Code	Color
R	Red
G	Green
Y	Yellow
O	Orange
B	Blue
W	White

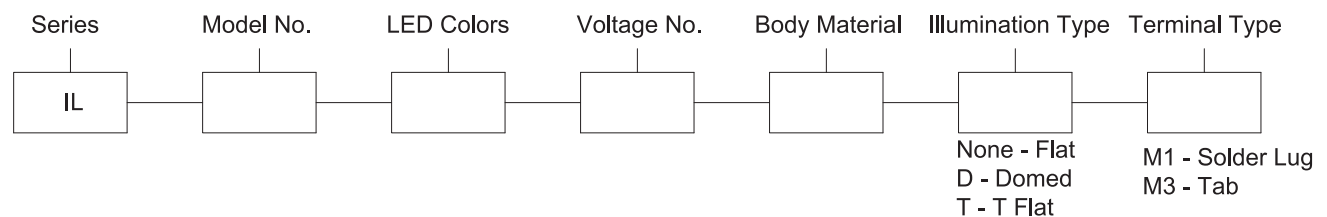
### Voltage

Code	Voltage
1	2V
2	6V
3	12V
4	24V
5	110V
6	220V
7	36V
8	2.8V
9	5V
10	48V
11	9V

### Body Material

Code	Body Material
N	Brass nickel plated
S	Stainless steel
K	Brass black nickel plated

## HOW TO ORDER



\*Wire option is available, please consult with factory.