

SPECIFICATIONS:

CONTACT RATING: 50mA 12VDC.
 CONTACT RESISTANCE: 30m-ohms max.
 TRAVEL: 0.30±0.10mm (0712), 0.35±0.10mm (0714).
 LIFE: 80,000 cycles min.
 OPERATING FORCE: 160±30gf (0714), 250±30gf (0712 & 0714).

MATERIALS:

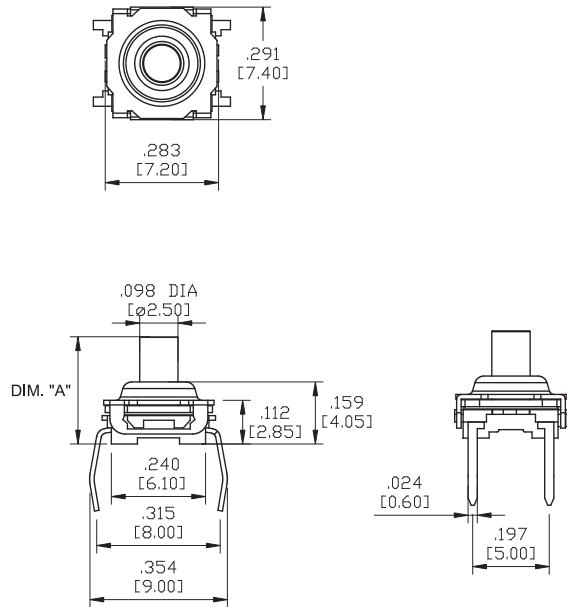
BASE & STEM: Nylon 66.
 COVER: Steel or brass.
 TERMINAL: Brass.
 CONTACT: Silver copper or stainless steel.
 O-RING: Silicon.

Specifications and Dimensions subject to change

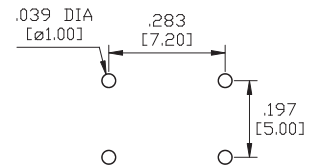
KRSA-0712



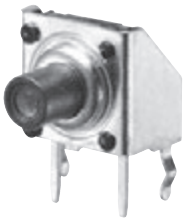
L	DIM. "A"
1	.197 [5.00]
2	.276 [7.00]
3	.335 [8.50]



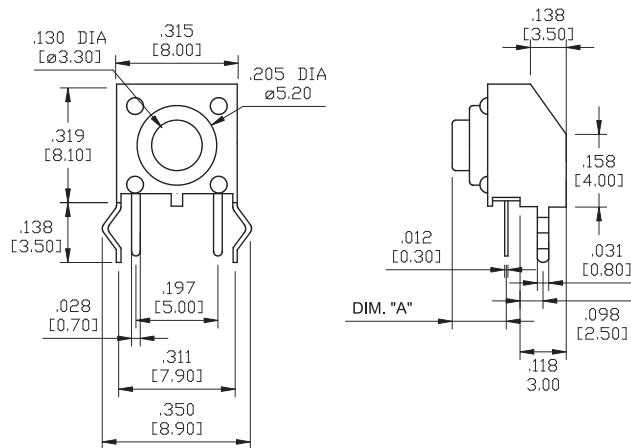
P.C.MOUNTING



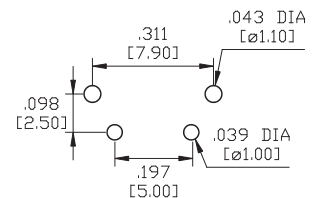
KRSA-0714



L	DIM. "A"
1	.152 [3.85]
2	.230 [5.85]
3	.309 [7.85]



P.C.MOUNTING



HOW TO ORDER

