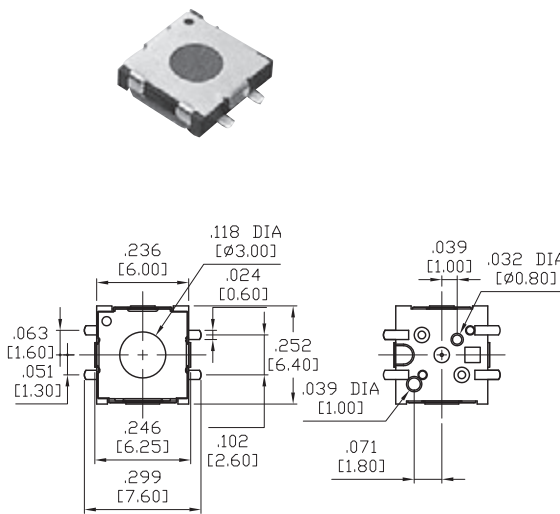


## SPECIFICATIONS:

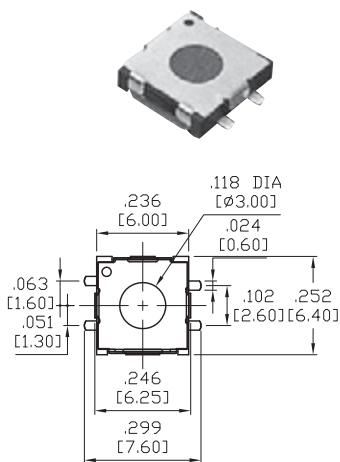
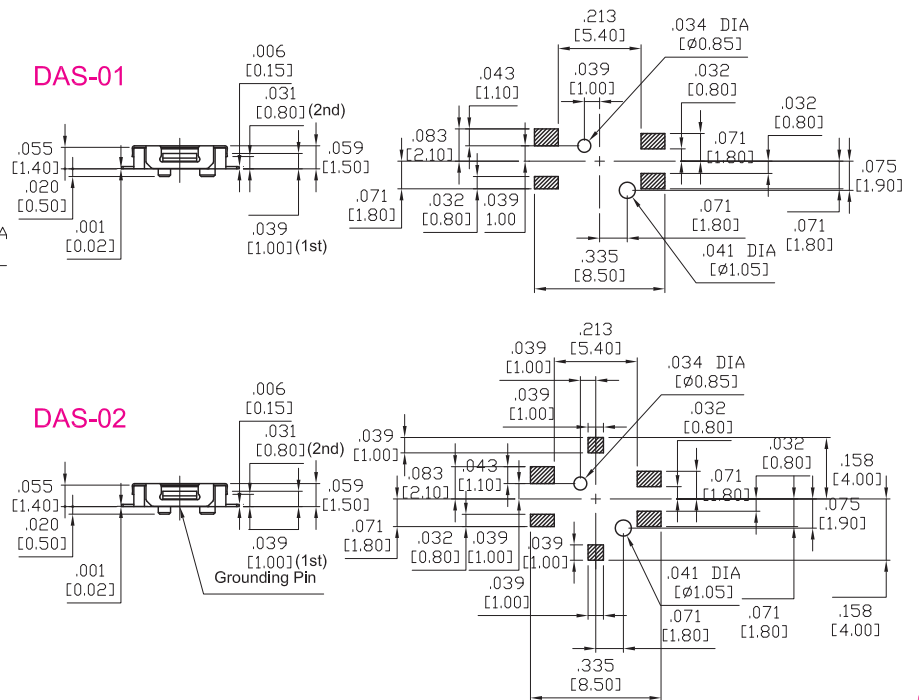
RATING: 12VDC 50mA.  
 OPERATING TEMPERATURE: -20°C ~ +70°C.  
 CONTACT RESISTANCE: 200m-ohms (Initial).  
 INSULATION RESISTANCE: 100M-ohms MIN.  
 WITHSTANDING VOLTAGE: 1 minute at 100 VAC.

BOUNCE: 5ms MAX.  
 ELECTRICAL LIFE: 300,000 times.  
 OPERATING FORCE: 1st=100gf±30gf, 2nd=260±50gf  
 HEAT RESISTANCE:  
 MANUAL SOLDERING 350°C for 3 sec MAX.  
 REFLOW SOLDERING 260°C for 5 sec MAX.  
 PACKING QUANTITY: 2,000 pcs/per reel.

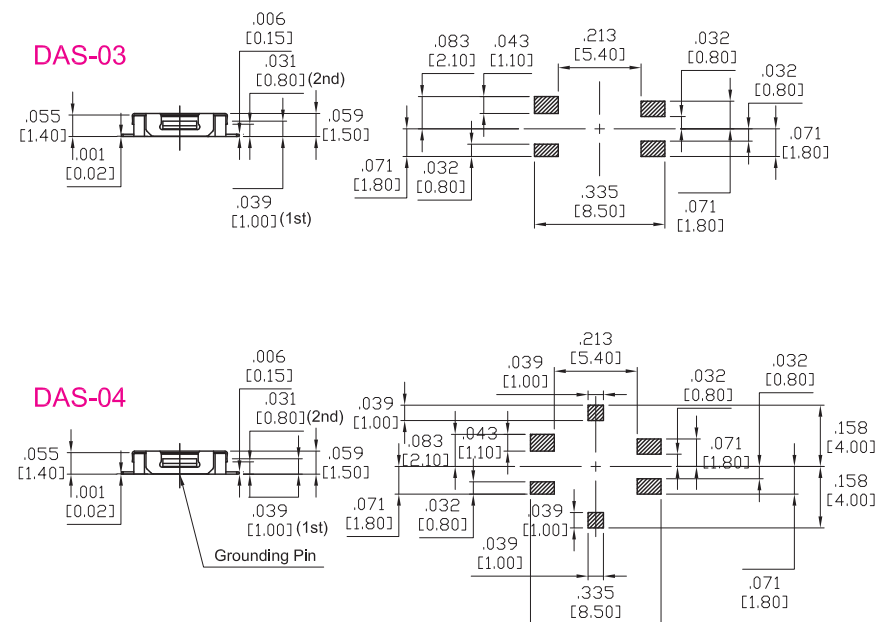
Specifications and Dimensions subject to change



## P.C.B MOUNTING



## P.C.B MOUNTING



Toggle

Rocker

Slide

Pushbutton

AV

Rotary

Tact

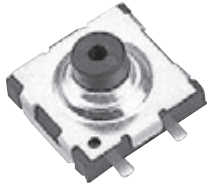
Touch Key

Miscellaneous

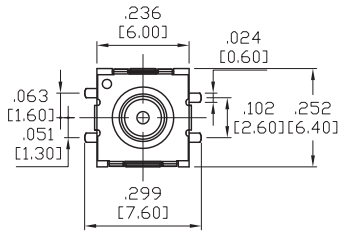
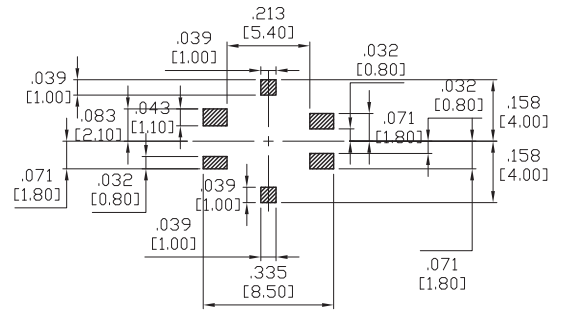
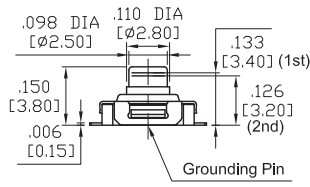
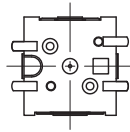
# Series DAS

# Double Action Switches

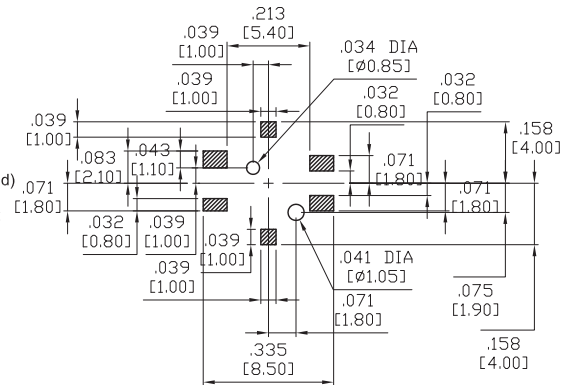
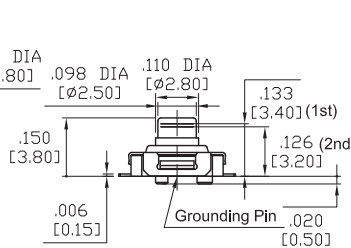
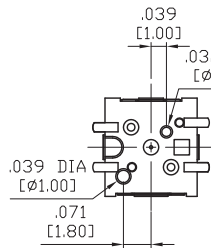
## P.C.B MOUNTING



DAS-05



DAS-06



## HOW TO ORDER

