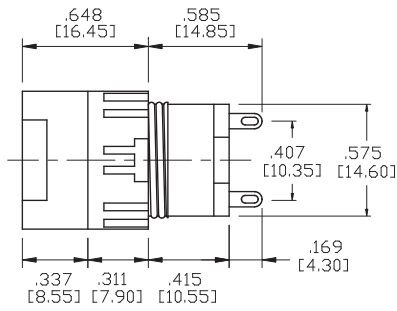
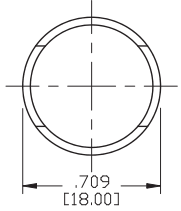
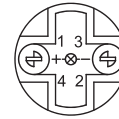


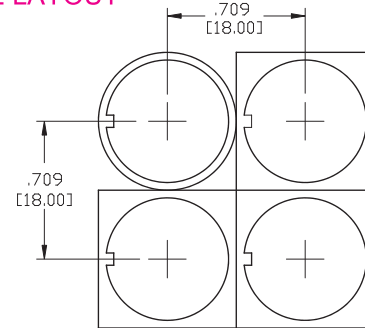
ROUND



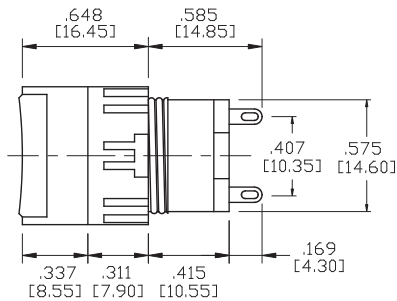
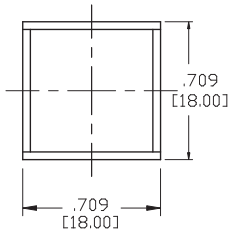
BOTTOM VIEW



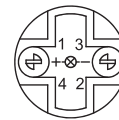
HOLE LAYOUT



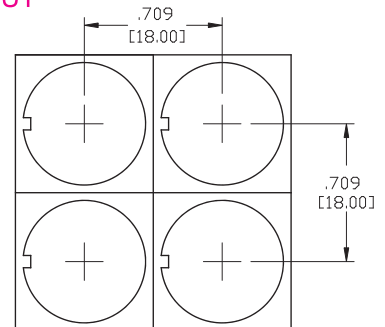
SQUARE



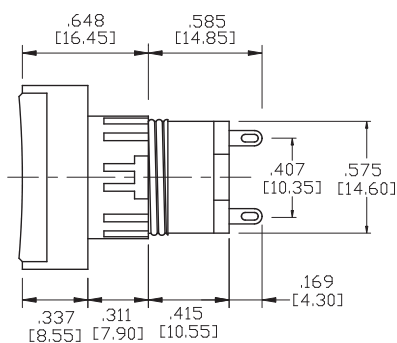
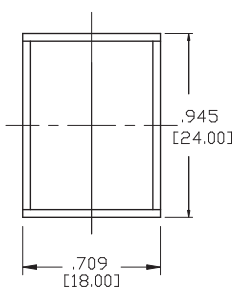
BOTTOM VIEW



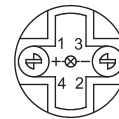
HOLE LAYOUT



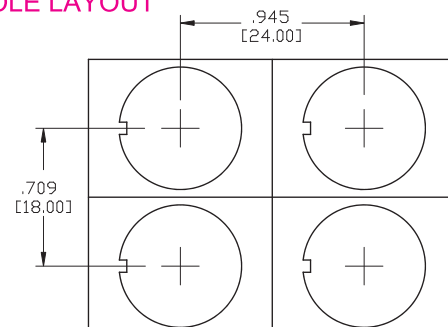
RECTANGULAR



BOTTOM VIEW



HOLE LAYOUT



- Toggle
- Rocker
- Slide
- Pushbutton
- AV
- Rotary
- Tact
- Touch Key
- Miscellaneous

BUTTON COLOR OPTIONS

R = Red

Y = Yellow

G = Green

LAMP & LED OPTIONS

LAMP

A = 110V

B = 220V

C = 6V

D = 12V

E = 24V

LED

F = 12V

G = 24V

HOW TO ORDER

