

SPECIFICATIONS:

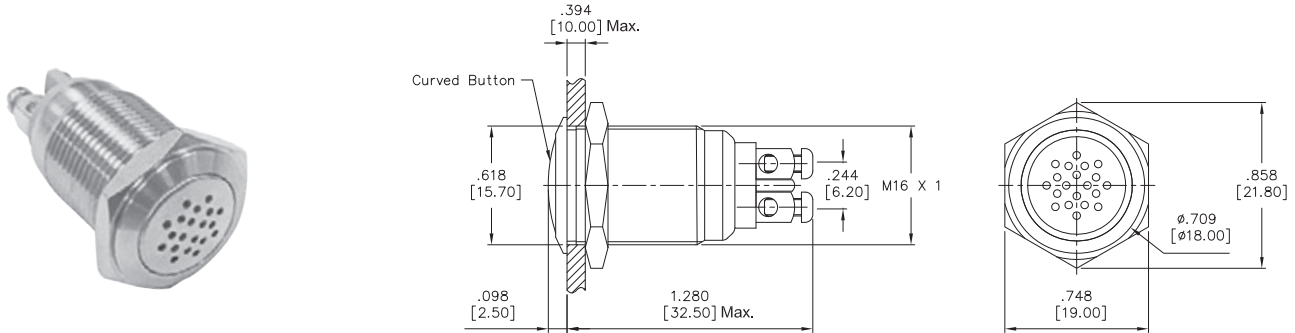
BUSHING: $\phi 16\text{mm}$.
 Rated Current: Max. 30mA @ 12/24VDC.
 Sound Intensity: $\geq 85\text{dB}$ at 0.1 meter away,
 $\geq 75\text{dB}$ at 1 meter away.
 Dielectric Strength: 2,000V RMS 50~60Hz.
 Operating Temperature: $-20^{\circ}\text{C} \sim +55^{\circ}\text{C}$
 Protection Class: IP40 & IK04.
 Torque: 5~14Nm max. applied to nut.

MATERIALS:

Bushing & Button: Stainless steel.
 Base: PBT.

Specifications and Dimensions subject to change

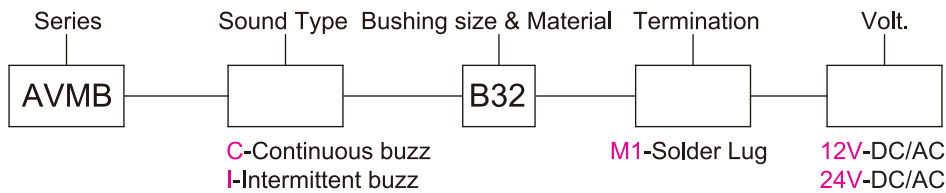
B3 $\phi 16\text{mm}$



BUSHING & BUTTON MATERIAL OPTIONS

Code	Bushing Size	Bushing & Button Material	MOQ
B32	$\phi 16\text{mm}$	Stainless steel with varnished polished	100 PCS

HOW TO ORDER



SPECIFICATIONS:

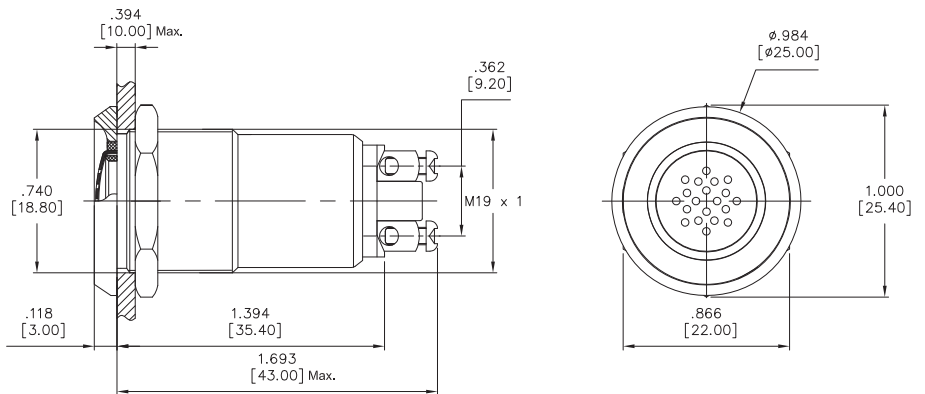
BUSHING: \varnothing 19mm.
 Rated Current: Max. 30mA @ 12/24VDC.
 Sound Type: Continuous buzz/Intermittent buzz/
 Flash Intermittent buzz.
 Sound Intensity: \geq 85dB at 0.1 meter away,
 \geq 75dB at 1 meter away.
 Dielectric Strength: 2,000V RMS 50~60Hz.
 Operating Temperature: -20°C ~ +55°C
 Protection Class: IP40 or IP50 & IK04.
 Torque: 5~14Nm max. applied to nut.

MATERIALS:

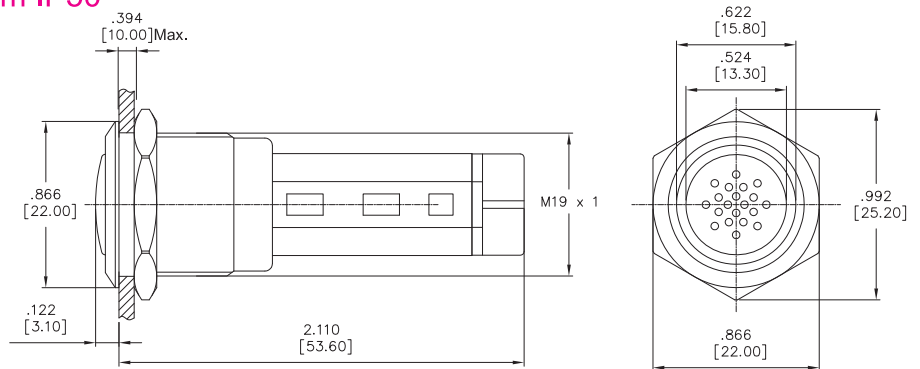
Bushing & Button: Stainless steel.
 Base: PBT.

Specifications and Dimensions subject to change

Illuminated \varnothing 19mm IP40



Non-Illuminated & Illuminated \varnothing 19mm IP50



BUSHING & BUTTON MATERIAL OPTIONS

Code	Bushing Size	Bushing & Button Material	MOQ
B22	\varnothing 19mm	Stainless steel with varnished polished	100 PCS

HOW TO ORDER

